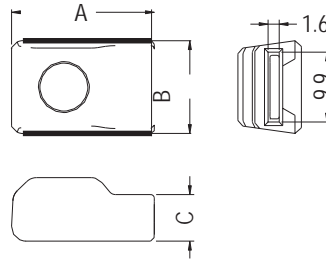


HANDLE

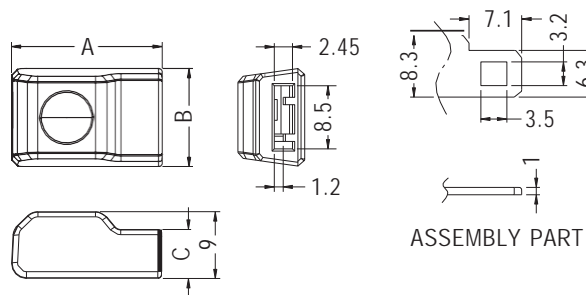
- ◆ MATERIAL:TPV
- ◆ COLOR:ORANGE
- ◆ UNIT:mm



PART NO	A	B	C	PACKAGE
HANE-22	20.2	13.1	6.6	250

HANDLE

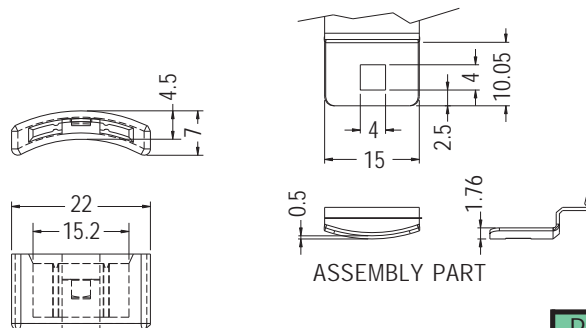
- ◆ MATERIAL:PC+ABS (UL)
- ◆ FLAME CLASS:94V-0
- ◆ COLOR:BLACK/BLUE
- ◆ UNIT:mm



PART NO	A	B	C	PACKAGE
HANE-41	20.25	13.15	6.6	250

HANDLE

- ◆ MATERIAL:PC+ABS (UL)
- ◆ FLAME CLASS:94V-2/94V-0
- ◆ COLOR:BLACK/ORANGE
- ◆ UNIT:mm



PART NO	PACKAGE
HANE-34	1000

