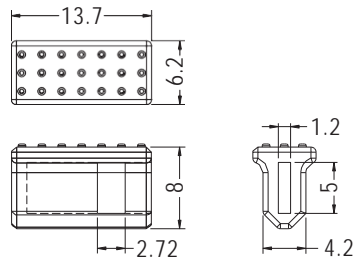
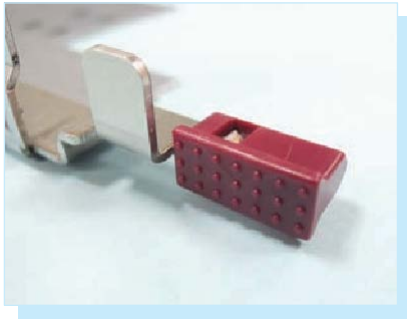


# HANDLE

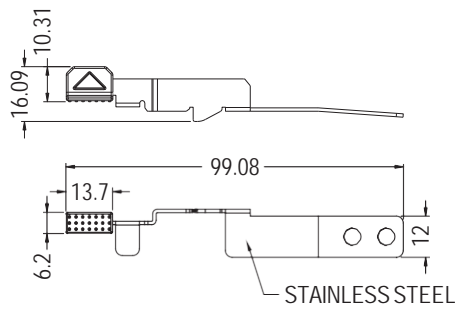
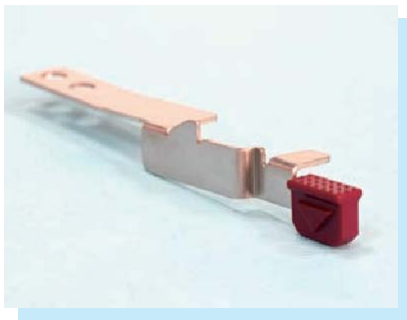
- ◆ MATERIAL:PC+ABS (UL)
- ◆ FLAME CLASS:94V-2/94V-0
- ◆ COLOR:HOT PLUGRED
- ◆ UNIT:mm



PART NO	PACKAGE
HANE-53	500

# HANDLE

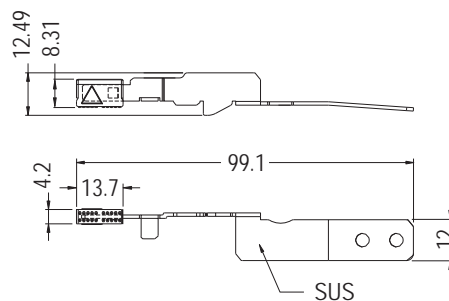
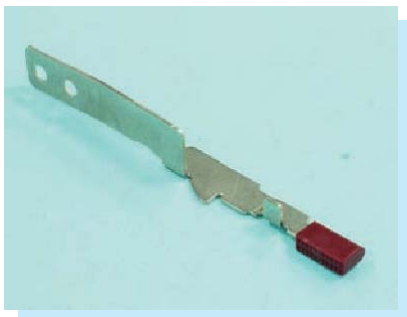
- ◆ MATERIAL:PC+ABS (UL)
- ◆ FLAME CLASS:94V-0
- ◆ COLOR:RED
- ◆ UNIT:mm



PART NO	PACKAGE
HANE-64	250

# HANDLE

- ◆ MATERIAL:PC+ABS (UL)
- ◆ FLAME CLASS:94V-0
- ◆ COLOR:RED
- ◆ UNIT:mm



PART NO	PACKAGE
HANE-67	250