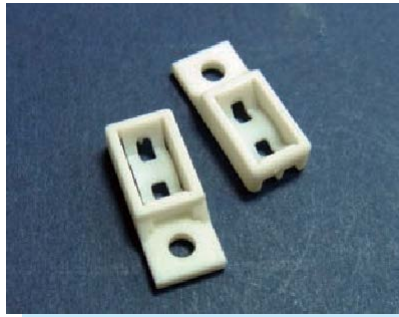
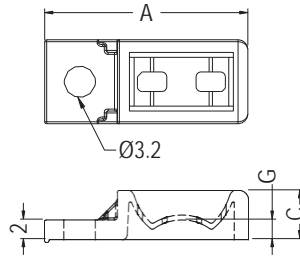


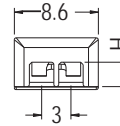
# PARTS HOUSING



- ◆ MATERIAL:NYLON 66 (UL)
- ◆ FLAME CLASS:94V-2/94V-0
- ◆ COLOR:NATURAL/BLACK
- ◆ UNIT:mm



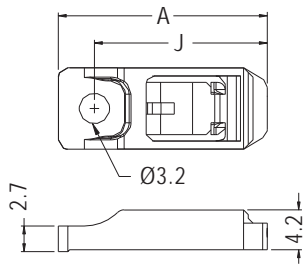
PART NO	A	C	G	H	PACKAGE
PHG-8	20.8	5.0	2.0	1.2	1000
PHG-10	20.8	5.0	2.0	2.5	



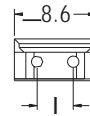
# PARTS HOUSING



- ◆ MATERIAL:NYLON 66 (UL)
- ◆ FLAME CLASS:94V-2/94V-0
- ◆ COLOR:NATURAL/BLACK
- ◆ UNIT:mm



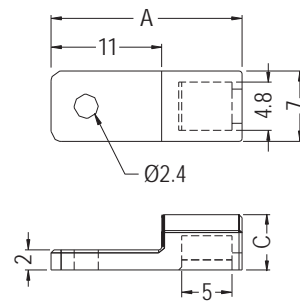
PART NO	A	I	J	PACKAGE
PHG-12	22.0	3.8	18.2	1000
PHG-14	21.5	3.5	17.7	



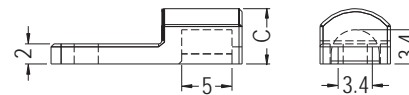
# PARTS HOUSING



- ◆ MATERIAL:PBT (UL)
- ◆ FLAME CLASS:94V-0
- ◆ COLOR:NATURAL
- ◆ UNIT:mm



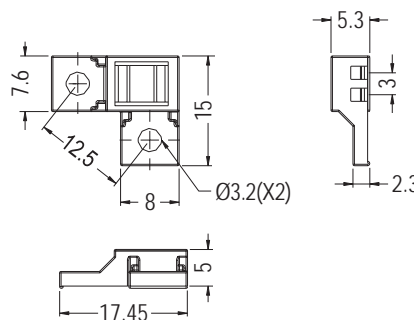
PART NO	A	C	PACKAGE
PH-28	19.0	5.5	1000



# PARTS HOUSING



- ◆ MATERIAL:NYLON 66 (UL)
- ◆ FLAME CLASS:94V-2/94V-0
- ◆ COLOR:NATURAL/BLACK
- ◆ UNIT:mm



PART NO	PACKAGE
PHG-15	1000

