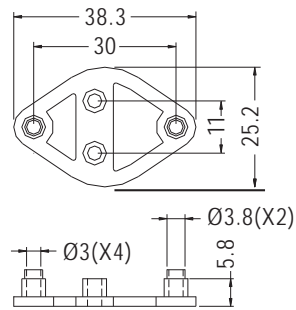


## TRANSISTOR HOUSING



- ◆ MATERIAL: NYLON 66 (UL)
- ◆ FLAME CLASS: 94V-2/94V-0
- ◆ COLOR: NATURAL/BLACK
- ◆ UNIT: mm

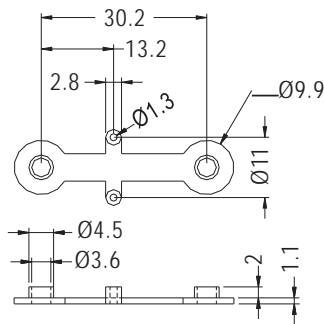


PART NO	PACKAGE
TR-4	500

## TRANSISTOR HOUSING



- ◆ MATERIAL: NYLON 66 (UL)
- ◆ FLAME CLASS: 94V-2/94V-0
- ◆ COLOR: NATURAL/BLACK
- ◆ UNIT: mm

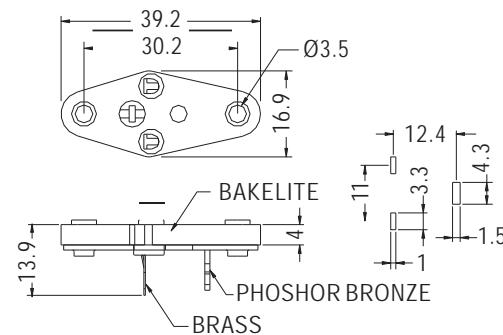


PART NO	PACKAGE
TR-6	1000

## TRANSISTOR HOUSING



- ◆ MATERIAL: BAKELITE
- ◆ COLOR: BLACK
- ◆ UNIT: mm

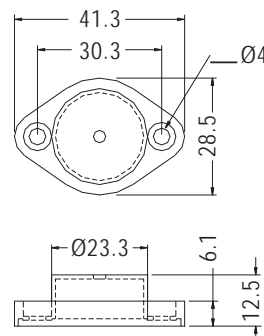


PART NO	PACKAGE
TO-3APF	1000

## TRANSISTOR COVER



- ◆ MATERIAL: NYLON 66 (UL)
- ◆ FLAME CLASS: 94V-2/94V-0
- ◆ COLOR: NATURAL/BLACK
- ◆ UNIT: mm



PART NO	PACKAGE
TRC-1	200