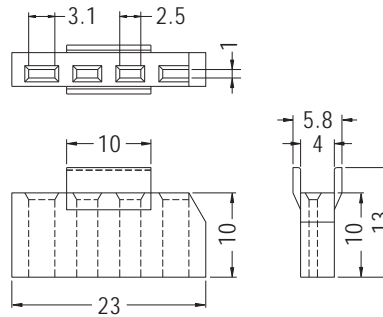
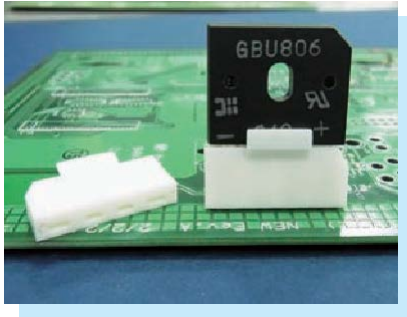


BRIDGE RECTIFIER HOUSING

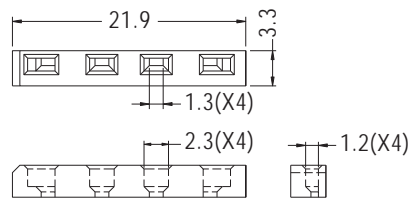
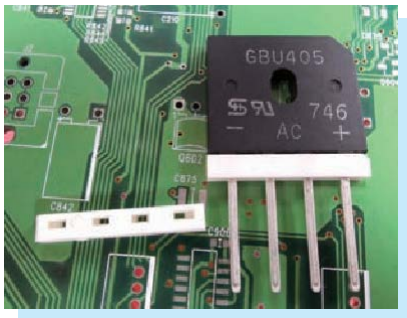
- ◆ MATERIAL: NYLON 66 (UL)
- ◆ FLAME CLASS: 94V-2/94V-0
- ◆ COLOR: NATURAL/BLACK
- ◆ UNIT: mm



PART NO	PACKAGE
BGCV-23	500

BRIDGE RECTIFIER HOUSING

- ◆ MATERIAL: PBT (UL)
- ◆ FLAME CLASS: 94V-0
- ◆ COLOR: NATURAL
- ◆ UNIT: mm

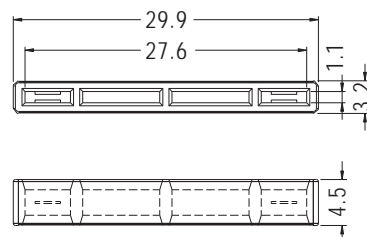
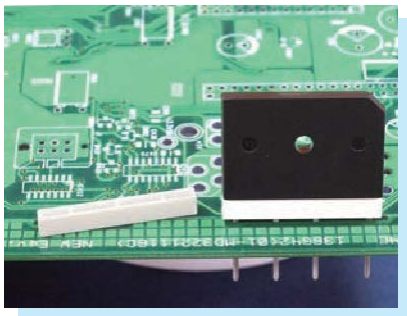


PART NO	PACKAGE
BGCA-22	1000

BRIDGE RECTIFIER HOUSING



- ◆ MATERIAL: PBT (UL)
- ◆ FLAME CLASS: 94V-0
- ◆ COLOR: WHITE
- ◆ UNIT: mm



PART NO	PACKAGE
BGCB-30	1000