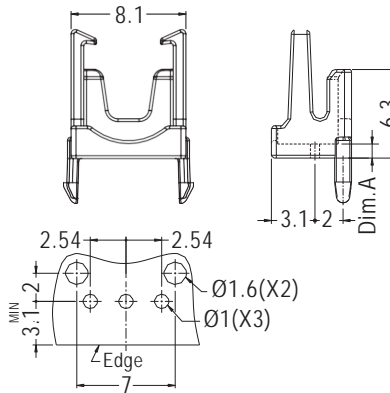


IR RECEIVER HOLDER

- ◆ MATERIAL: NYLON 66 (UL)
- ◆ FLAME CLASS: 94V-2/94V-0
- ◆ COLOR: NATURAL/BLACK
- ◆ UNIT: mm

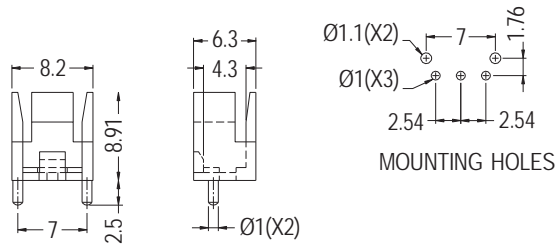
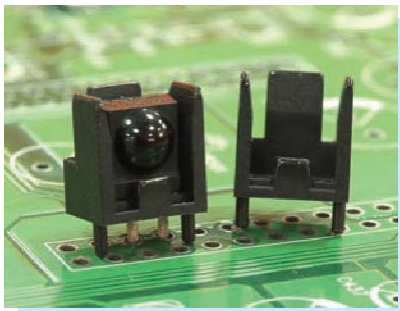


MOUNTING HOLES
THICKNESS 1.6

PARTNO	Dim.A	PACKAGE
RECC-1	1.0	1000
RECC-1.5	1.5	
RECC-2	2.0	
RECC-2.5	2.5	
RECC-3	3.0	
RECC-3.5	3.5	
RECC-4	4.0	
RECC-4.5	4.5	
RECC-5	5.0	
RECC-5.5	5.5	
RECC-6	6.0	

IR TRANSISTOR HOUSING

- ◆ MATERIAL: NYLON 66 (UL)
- ◆ FLAME CLASS: 94V-2/94V-0
- ◆ COLOR: NATURAL/BLACK
- ◆ UNIT: mm

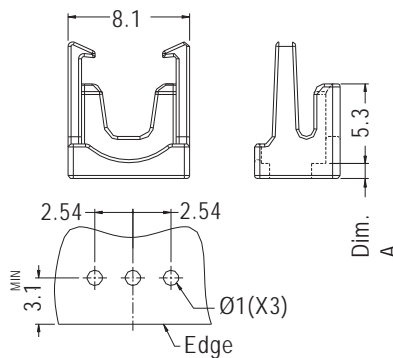


MOUNTING HOLES

PART NO	PACKAGE
RECI-1	1000

IR TRANSISTOR HOUSING

- ◆ MATERIAL: NYLON 66 (UL)
- ◆ FLAME CLASS: 94V-2/94V-0
- ◆ COLOR: NATURAL/BLACK
- ◆ UNIT: mm



MOUNTING HOLES
THICKNESS 1.6

PARTNO	Dim.A	PACKAGE
RECE-1	1.0	1000
RECE-1.5	1.5	
RECE-2	2.0	
RECE-2.5	2.5	
RECE-3	3.0	
RECE-3.5	3.5	
RECE-4	4.0	
RECE-4.5	4.5	
RECE-5	5.0	
RECE-5.5	5.5	
RECE-6	6.0	

