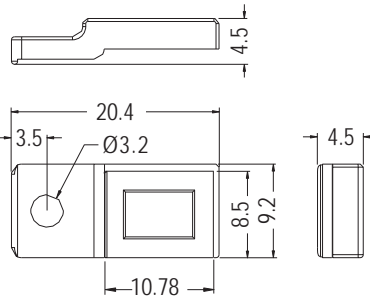
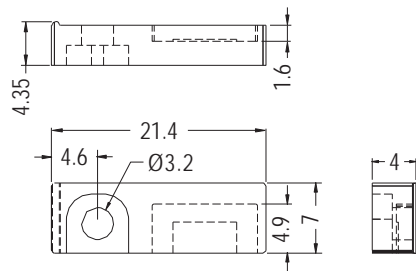
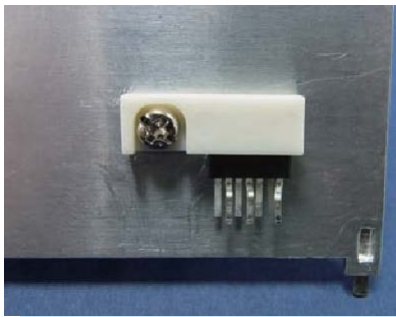


# POWER IC COVER

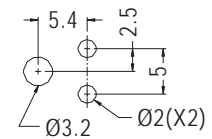
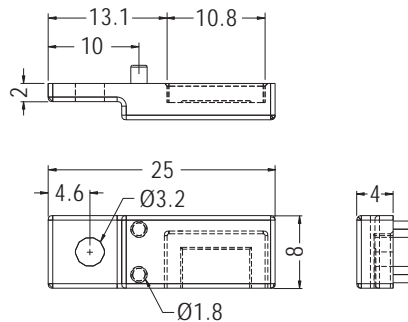
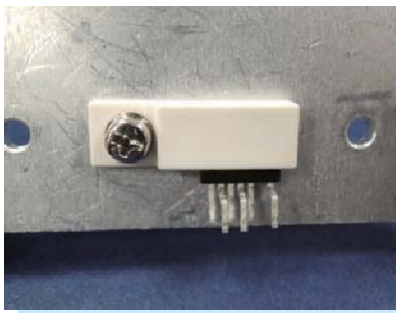
- ◆ MATERIAL: NYLON 66 (UL)/PBT (UL)
- ◆ FLAME CLASS: 94V-2/94V-0
- ◆ COLOR: NATURAL
- ◆ UNIT: mm



| PART NO | PACKAGE |
|---------|---------|
| TC-26   | 1000    |

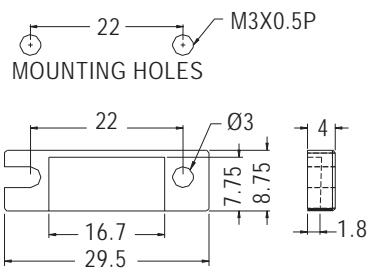
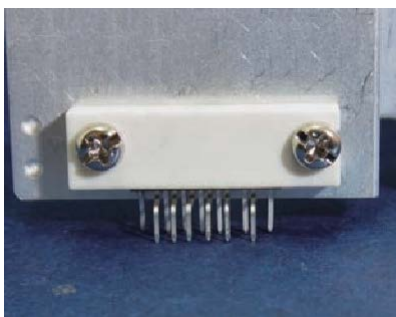


| PART NO | PACKAGE |
|---------|---------|
| TC-31   | 1000    |

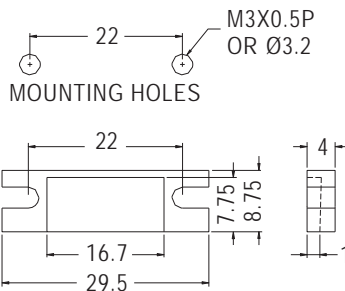


MOUNTING HOLES

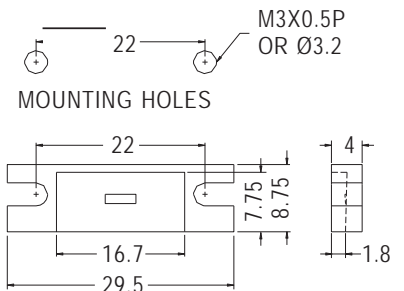
| PART NO | PACKAGE |
|---------|---------|
| PH-44   | 1000    |



| PART NO | PACKAGE |
|---------|---------|
| TC-42   | 1000    |



| PART NO | PACKAGE |
|---------|---------|
| TC-47   | 1000    |



| PART NO | PACKAGE |
|---------|---------|
| TC-63   | 1000    |

