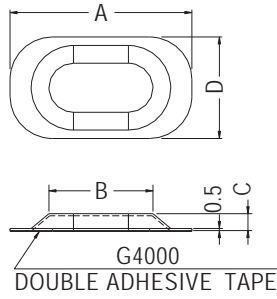


INSULATED CAP



- ◆ MATERIAL: NYLON 66 (UL)
- ◆ FLAME CLASS: 94V-2/94V-0
- ◆ COLOR: BLACK
- ◆ UNIT: mm

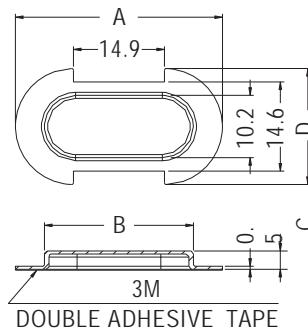


PART NO	A	B	C	D	PACKAGE
SCD-10	43.0	24.6	4.0	24.0	2000

INSULATED CAP

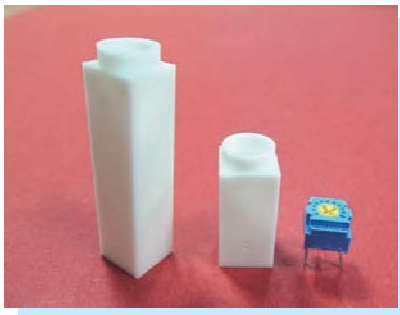


- ◆ MATERIAL: NYLON 66 (UL)
- ◆ FLAME CLASS: 94V-2/94V-0
- ◆ COLOR: BLACK
- ◆ UNIT: mm

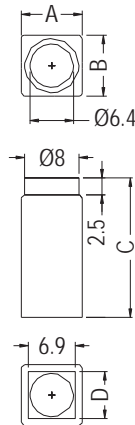


PART NO	A	B	C	D	PACKAGE
SCD-12	33.9	24.4	3.0	19.0	2000

INSULATED CAP

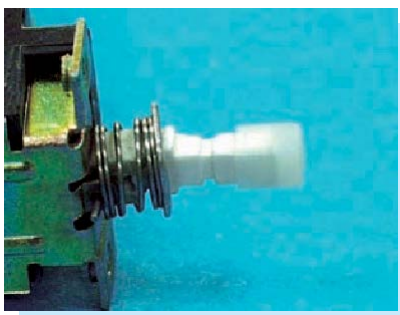


- ◆ MATERIAL: NYLON 66 (UL)
- ◆ FLAME CLASS: 94V-2/94V-0
- ◆ COLOR: NATURAL/BLACK
- ◆ UNIT: mm

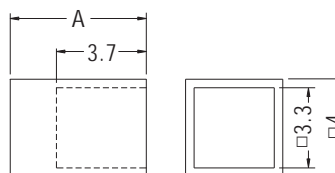


PART NO	A	B	C	D	PACKAGE
VRCVA-18	8.95	8.95	20.5	6.9	100
VRCVA-21.4	8.95	8.95	23.9	6.9	
VRCVA-27.5	8.95	8.95	30.0	6.9	
VRCVA-33	8.9	8.6	35.5	6.6	

TACT SWITCH CAP



- ◆ MATERIAL: NYLON 66 (UL)
- ◆ FLAME CLASS: 94V-2/94V-0
- ◆ COLOR: NATURAL/BLACK
- ◆ UNIT: mm



PART NO	A	PACKAGE
SWC-1	5.6	2000
SWC-2	4.7	

