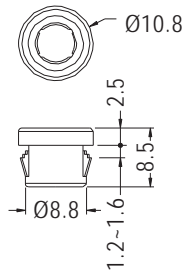


DOOR LOCK

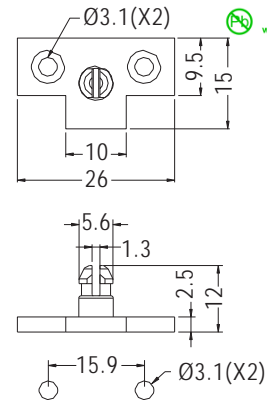


- ◆ MATERIAL: NYLON 66 (UL)
- ◆ FLAME CLASS: 94V-2/94V-0
- ◆ COLOR: NATURAL/BLACK
- ◆ UNIT: mm



CHASSIS Ø9.0
THICKNESS 1.2-1.6

PART NO	PACKAGE
DT-48A	1000



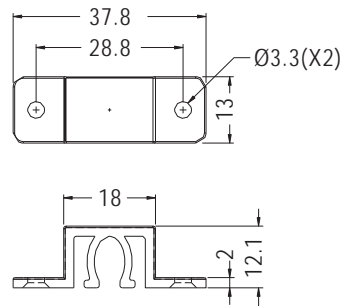
HOLE IN CHASSIS

PART NO	PACKAGE
DT-48B	1000



DOOR LOCK TIP

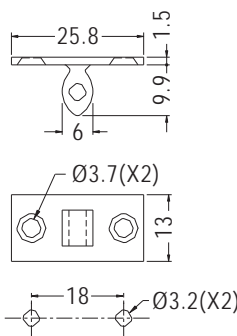
- ◆ MATERIAL: POM
- ◆ COLOR: NATURAL
- ◆ UNIT: mm



PART NO	PACKAGE
DT-49	1000

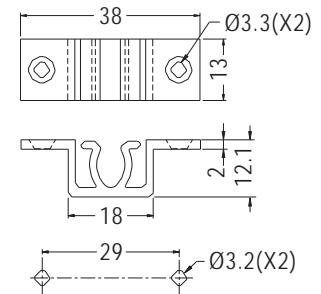
DOOR LOCK TIP

- ◆ MATERIAL: NYLON 66 (UL)
- ◆ FLAME CLASS: 94V-2/94V-0
- ◆ COLOR: NATURAL/BLACK
- ◆ UNIT: mm



MOUNTING HOLES

PART NO	PACKAGE
DTA-42	500



MOUNTING HOLES

PART NO	PACKAGE
DT-42	500

