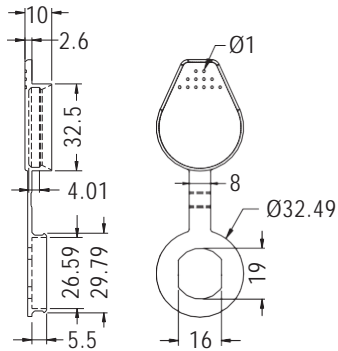


## WATERPROOF CAP

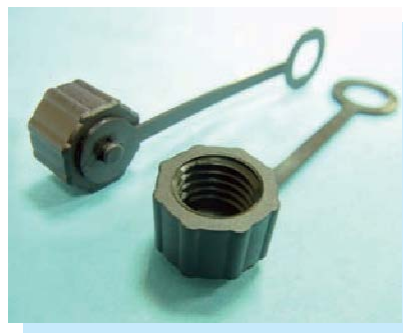


- ◆ MATERIAL:EPDM+PP
- ◆ COLOR:BLACK
- ◆ UNIT:mm

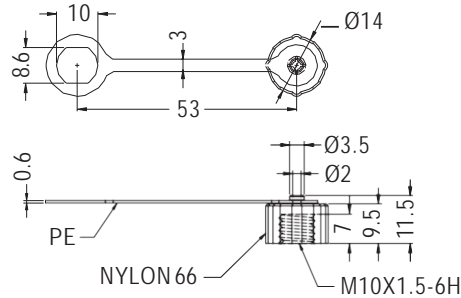


PART NO	PACKAGE
EMS-1	100

## CAP SENSING POINT SELF RETAINING



- ◆ MATERIAL:NYLON 66 (UL)/PE
- ◆ FLAME CLASS:94HB
- ◆ COLOR:BLACK
- ◆ UNIT:mm

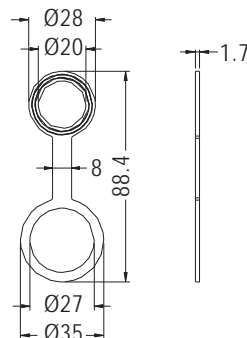


PART NO	PACKAGE
CAV-1	500

## WATERPROOF RING

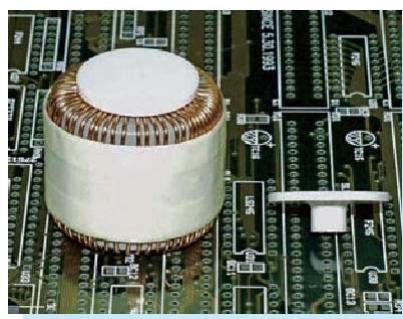


- ◆ MATERIAL:EPDM
- ◆ COLOR:BLACK
- ◆ UNIT:mm

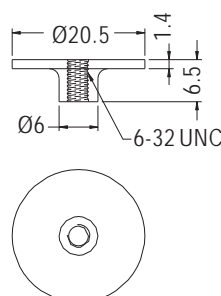


PART NO	PACKAGE
TF-568	100

## COIL HOLDER



- ◆ MATERIAL:PBT (UL)
- ◆ FLAME CLASS:94V-0
- ◆ COLOR:NATURAL
- ◆ UNIT:mm



PART NO	PACKAGE
TRMH-20	500