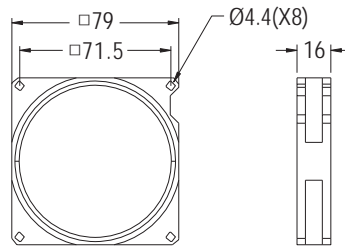


REAR FAN PROTECTIVE COVER



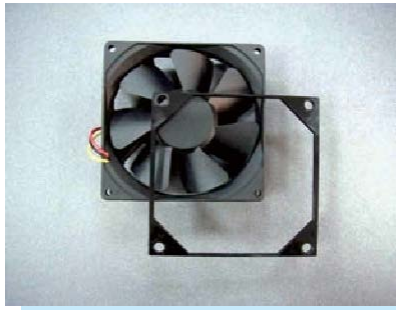
- ◆ MATERIAL:PBT (UL)
- ◆ FLAME CLASS:94V-0
- ◆ COLOR:BLACK
- ◆ UNIT:mm



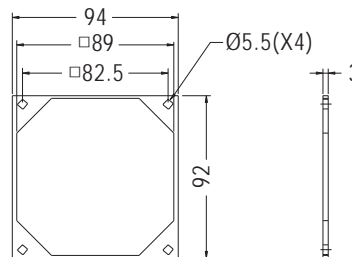
PART NO	PACKAGE
FANCS-3	500



REAR FAN PROTECTIVE COVER



- ◆ MATERIAL:PC (UL)
- ◆ FLAME CLASS:94V-2/94V-0
- ◆ COLOR:BLACK
- ◆ UNIT:mm

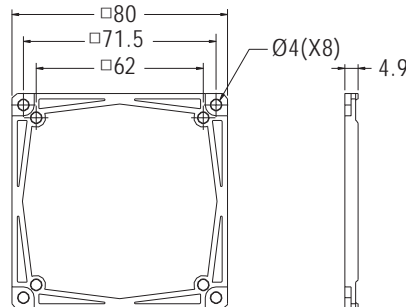


PART NO	PACKAGE
FANCV-1	500

REAR FAN PROTECTIVE COVER



- ◆ MATERIAL:PBT (UL)
- ◆ FLAME CLASS:94V-0
- ◆ COLOR:BLACK
- ◆ UNIT:mm

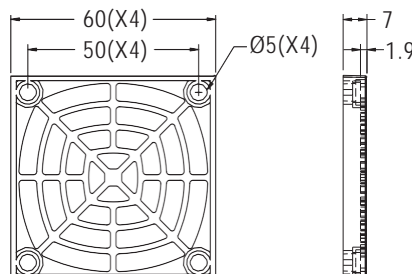


PART NO	PACKAGE
FANCV-3	500

REAR FAN PROTECTIVE COVER



- ◆ MATERIAL:ABS (UL)
- ◆ FLAME CLASS:94V-0
- ◆ COLOR:BLACK
- ◆ UNIT:mm



PART NO	PACKAGE
FANCV-9	500

