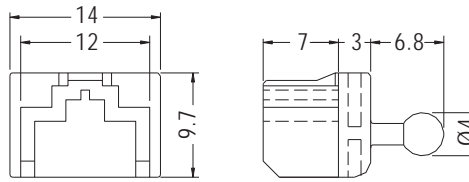


## RJ-45 CONNECTOR COVER



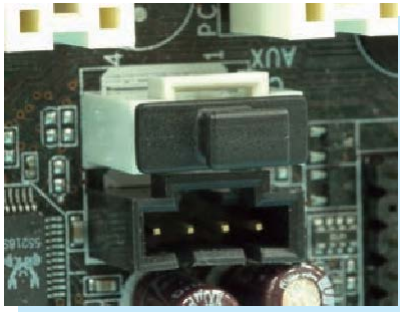
MATERIAL: NYLON 66 (UL)  
FLAME CLASS: 94V-2/94V-0  
COLOR: NATURAL/BLACK  
UNIT:



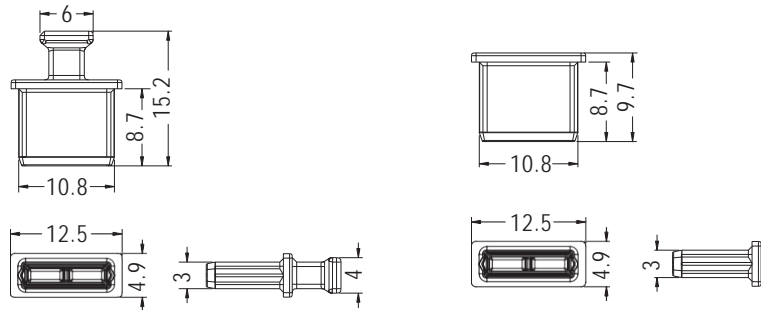
PART NO	PACKAGE
PJV-45	1000

7

## CONNECTOR COVER



MATERIAL: PE  
COLOR: BLACK  
UNIT:



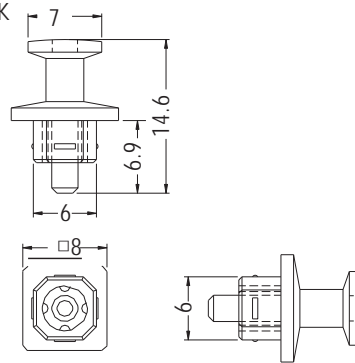
PART NO	PACKAGE
CDMCV-1	1000

PART NO	PACKAGE
CDMCV-2	1000

## FIBER OPTIC CONNECTOR COVER



MATERIAL: ABS (UL)  
FLAME CLASS: 94HB  
COLOR: BLACK  
UNIT:

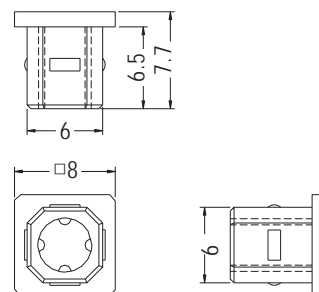


PART NO	PACKAGE
OPC-1	1000

## FIBER OPTIC CONNECTOR COVER



MATERIAL: ABS (UL)  
FLAME CLASS: 94HB  
COLOR: BLACK  
UNIT:



PART NO	PACKAGE
OPC-2	1000

