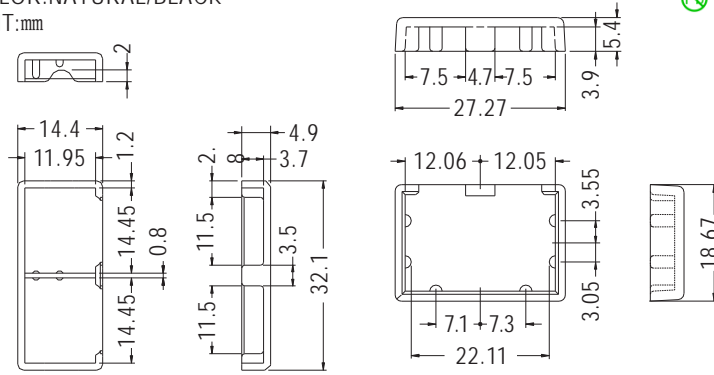
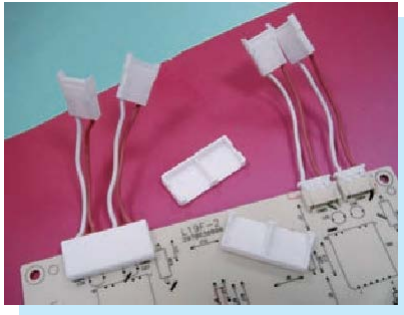


# CONNECTOR COVER

- ◆ MATERIAL: NYLON 66 (UL)
- ◆ FLAME CLASS: 94V-2/94V-0
- ◆ COLOR: NATURAL/BLACK
- ◆ UNIT: mm

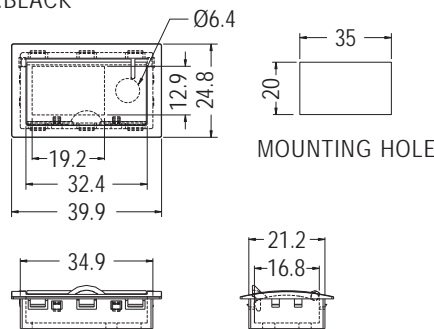


PART NO	PACKAGE
CDELT-2	500

PART NO	PACKAGE
CDELT-3	500

# SWITCH COVER

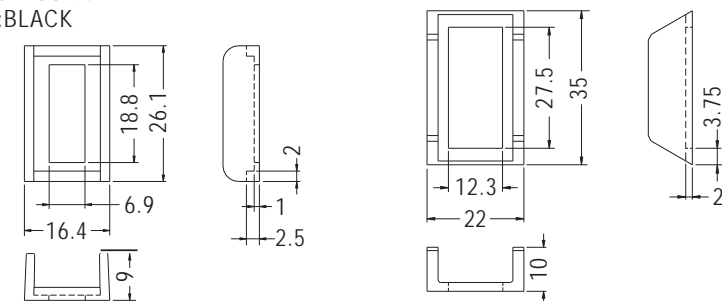
- ◆ BODY MATERIAL: NYLON 66 (UL)
- ◆ COVER MATERIAL: PC (UL)
- ◆ FLAME CLASS: 94V-2/94V-0
- ◆ COLOR: BLACK
- ◆ UNIT: mm



PART NO	PACKAGE
SCAB-2F	21

# SWITCH COVER

- ◆ MATERIAL: ABS (UL)
- ◆ FLAME CLASS: 94HB
- ◆ COLOR: BLACK
- ◆ UNIT: mm

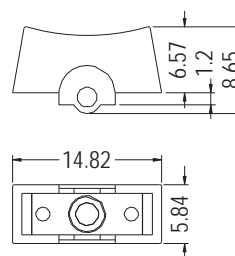


PART NO	PACKAGE
SCAB-7	500

PART NO	PACKAGE
SCAB-12	500

# TACT SWITCH CAP

- ◆ MATERIAL: NYLON 66 (UL)
- ◆ FLAME CLASS: 94V-2/94V-0
- ◆ COLOR: NATURAL/BLACK
- ◆ UNIT: mm



PART NO	PACKAGE
TSC-29	1000

