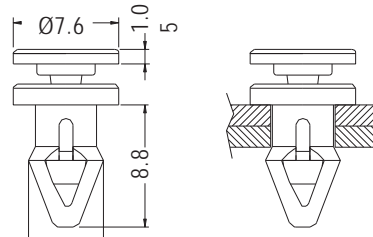


SNAP RIVET



- ◆ MATERIAL:TPU
- ◆ PIN MATERIAL:NYLON 66 (UL)
- ◆ FLAME CLASS:94V-2
- ◆ COLOR:BLACK
- ◆ UNIT:mm



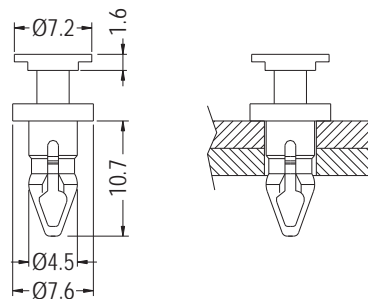
HOLE IN FAN Ø4.4
THICKNESS 3.0

PART NO	PACKAGE
SRCC-9	1000

SNAP RIVET



- ◆ MATERIAL:NYLON 66 (UL)
- ◆ FLAME CLASS:94V-2/94V-0
- ◆ COLOR:NATURAL/BLACK
- ◆ UNIT:mm



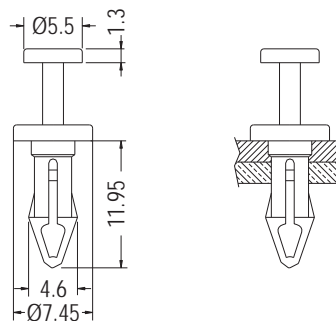
MOUNTING HOLE Ø4.6

PART NO	PACKAGE
SRCC-4	1000

SNAP RIVET



- ◆ MATERIAL:NYLON 66 (UL)
- ◆ FLAME CLASS:94V-2/94V-0
- ◆ COLOR:NATURAL/BLACK
- ◆ UNIT:mm



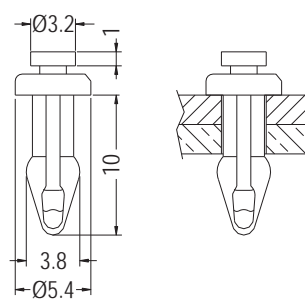
MOUNTING HOLE Ø4.1

PART NO	PACKAGE
SRCC-5	1000

SNAP RIVET

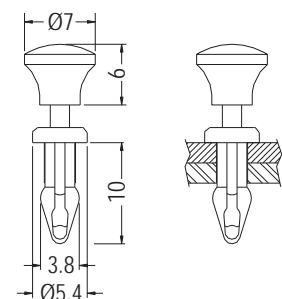


- ◆ MATERIAL:NYLON 66 (UL)
- ◆ FLAME CLASS:94V-2/94V-0
- ◆ COLOR:NATURAL/BLACK
- ◆ UNIT:mm



MOUNTING HOLE Ø3.0

PART NO	PACKAGE
SRCC-7	1000



MOUNTING HOLE Ø3.0

PART NO	PACKAGE
SRCC-7-1	1000

