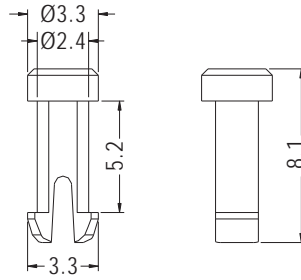


MOUNTING BUTTON



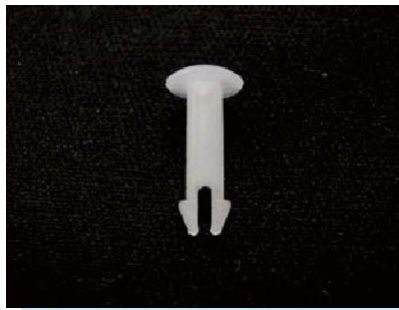
- ◆ MATERIAL: NYLON 66 (UL)
- ◆ FLAME CLASS: 94V-2/94V-0
- ◆ COLOR: NATURAL/BLACK
- ◆ UNIT: mm



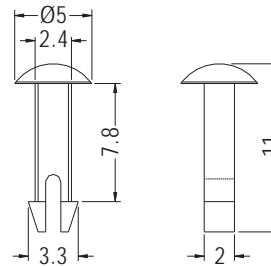
MOUNTING HOLE Ø2.5

PART NO	PACKAGE
PNLA-5.2	1000

MOUNTING BUTTON

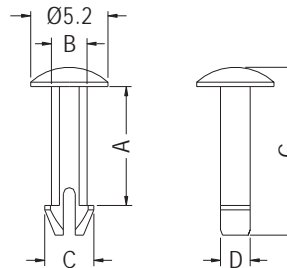


- ◆ MATERIAL: NYLON 66 (UL)
- ◆ FLAME CLASS: 94V-2/94V-0
- ◆ COLOR: NATURAL/BLACK
- ◆ UNIT: mm



MOUNTING HOLE Ø2.5

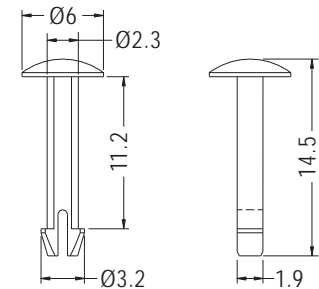
PART NO	PACKAGE
PNL-7.8	1000



MOUNTING HOLE: ØF

PART NO	A	B	C	D	F	G	PACKAGE
PNLS-8	8.0	2.4	3.3	2.0	2.5	11.3	1000
PNLS-15	8.1	2.0	2.7	1.8	2.3	11.4	
PNLS-16	14.5	2.0	2.7	1.8	2.3	17.8	

- ◆ MATERIAL: LCP (UL)
- ◆ FLAME CLASS: 94V-0
- ◆ COLOR: NATURAL
- ◆ UNIT: mm



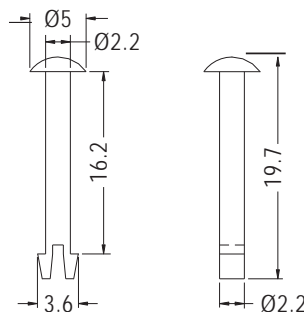
MOUNTING HOLE Ø2.4

PART NO	PACKAGE
PNLSA-8	1000

MOUNTING BUTTON



- ◆ MATERIAL: NYLON 66 (UL)
- ◆ FLAME CLASS: 94V-2/94V-0
- ◆ COLOR: NATURAL/BLACK
- ◆ UNIT: mm



MOUNTING HOLE Ø3.0

PART NO	PACKAGE
PNL-18	1000

