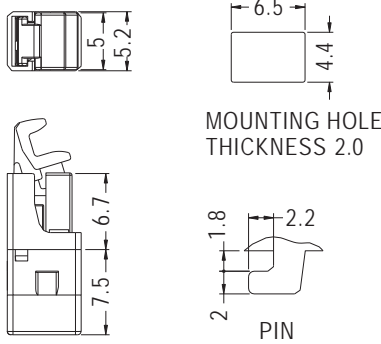


# DOOR LOCK



- ◆ CATCHER MAT'L:NYLON 66 (UL)/94V-2
- ◆ CASE MAT'L:POM (UL)/94HB
- ◆ COLOR:BLACK
- ◆ UNIT:mm

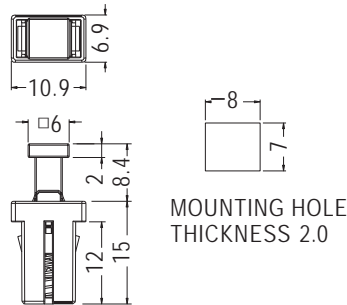


PART NO	PACKAGE
DT-12	500

# DOOR LOCK



- ◆ CATCHER MAT'L:NYLON 66 (UL)/94V-2
- ◆ CASE MAT'L:POM (UL)/94HB
- ◆ COLOR:BLACK
- ◆ UNIT:mm

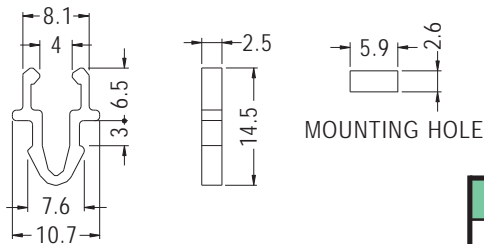


PART NO	PACKAGE
DT-14	500

# DOOR LOCK



- ◆ MATERIAL:NYLON 66 (UL)
- ◆ FLAME CLASS:94V-2/94V-0
- ◆ COLOR:BLACK
- ◆ UNIT:mm

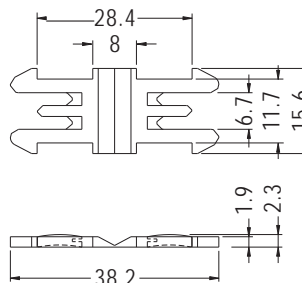


PART NO	PACKAGE
DT-10	2000

# DOOR LOCK



- ◆ MATERIAL:NYLON 66 (UL)
- ◆ FLAME CLASS:94V-2/94V-0
- ◆ COLOR:BLACK
- ◆ UNIT:mm



PART NO	PACKAGE
DT-11	500