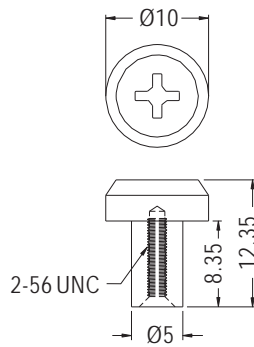


# SCREW

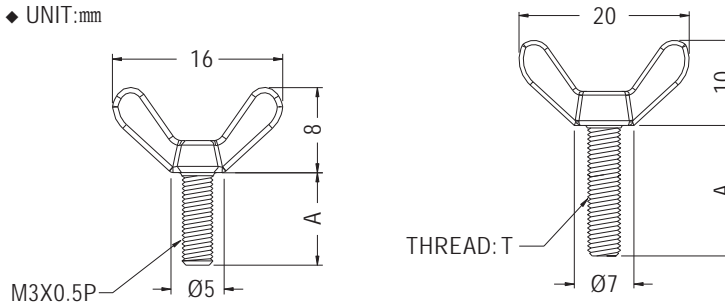
- ◆ MATERIAL:NYLON 66 (UL)
- ◆ FLAME CLASS:94V-2/94V-0
- ◆ COLOR:NATURAL/BLACK
- ◆ UNIT:mm



PART NO	PACKAGE
KSC256-8.4F	2000

# SCREW

- ◆ MATERIAL:NYLON 66 (UL)
- ◆ FLAME CLASS:94V-2/94V-0
- ◆ COLOR:NATURAL/BLACK
- ◆ UNIT:mm

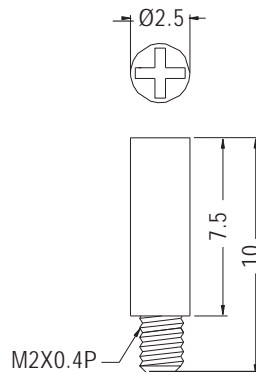


PART NO	A	PACKAGE
SM3-6	6.0	2000
SM3-8	8.0	
SM3-10	10.0	
SM3-12	12.0	

PART NO	A	T	PACKAGE
SM4-6	6.0	M4X0.7P	2000
SM4-8	8.0		
SM4-10	10.0		
SM4-12	12.0		
SM632-6	6.35	6-32 UNC	
SM632-8	8.0		
SM632-9	9.5		
SM632-12	12.7		

# SCREW

- ◆ MATERIAL:PC (UL)
- ◆ FLAME CLASS:94V-2
- ◆ COLOR:TRANSPARENT
- ◆ UNIT:mm



PART NO	PACKAGE
MUS2-10	2000

