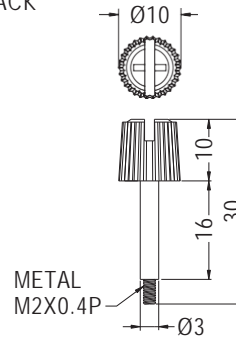


## SCREW



- ◆ HEAD MATERIAL:PC+ABS (UL)
- ◆ HEAD FLAME CLASS:94V-2/94V-0
- ◆ COLOR:BLACK
- ◆ UNIT:mm

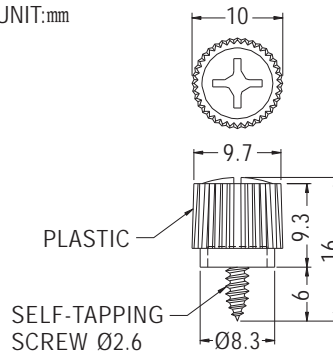


PART NO	PACKAGE
GPE2-30	1000

## SCREW



- ◆ PLASTIC MATERIAL:PP
- ◆ SCREW MATERIAL:STEEL
- ◆ COLOR:BLACK
- ◆ UNIT:mm

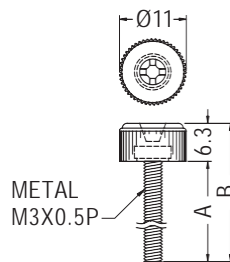


PART NO	PACKAGE
GPE2.6-6	1000

## SCREW



- ◆ HEAD MATERIAL:PC+ABS (UL)
- ◆ HEAD FLAME CLASS:94V-2/94V-0
- ◆ COLOR:BLACK
- ◆ UNIT:mm

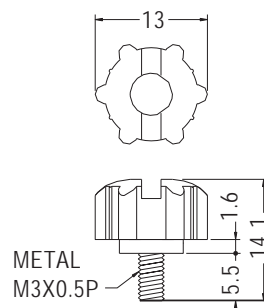


PART NO	A	B	PACKAGE
GPE3-5.5	5.5	11.8	1000
GPE3-8	8.0	14.3	
GPE3-15	15.0	21.3	
GPE3-23	23.0	29.3	

## HAND SPIN SCREW



- ◆ MATERIAL:PC+ABS (UL)
- ◆ FLAME CLASS:94V-0
- ◆ COLOR:BLACK
- ◆ UNIT:mm



PART NO	PACKAGE
GPR3-5.5	1000