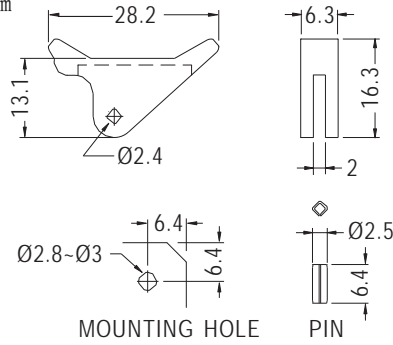


CARD PULLER



- ◆ MATERIAL: NYLON 66 (UL)/POM (UL)
- ◆ FLAME CLASS: 94HB/94V-2/94V-0
- ◆ PIN MATERIAL: STEEL
- ◆ COLOR: NATURAL/BLACK
- ◆ UNIT: mm

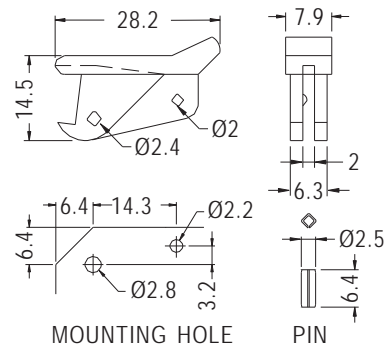


PART NO	PACKAGE
CP-25	1000

CARD PULLER



- ◆ MATERIAL: NYLON 66 (UL)
- ◆ FLAME CLASS: 94V-2/94V-0
- ◆ PIN MATERIAL: STEEL
- ◆ COLOR: NATURAL/BLACK
- ◆ UNIT: mm

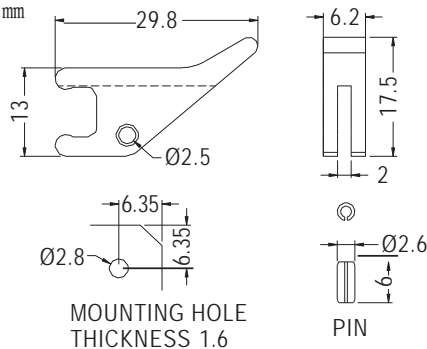


PART NO	PACKAGE
CP-30	1000

CARD PULLER



- ◆ MATERIAL: NYLON 66 (UL)
- ◆ FLAME CLASS: 94V-2/94V-0
- ◆ PIN MATERIAL: STEEL
- ◆ COLOR: NATURAL/BLACK
- ◆ UNIT: mm

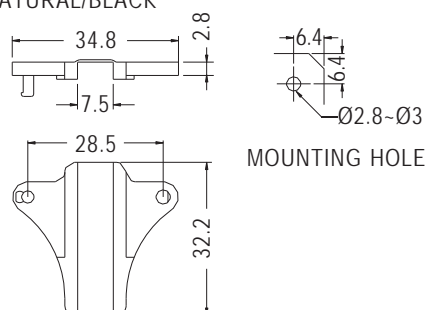


PART NO	PACKAGE
CP-90	1000

CARD PULLER



- ◆ MATERIAL: NYLON 66 (UL)
- ◆ FLAME CLASS: 94V-2/94V-0
- ◆ COLOR: NATURAL/BLACK
- ◆ UNIT: mm



PART NO	PACKAGE
CP-35	500

