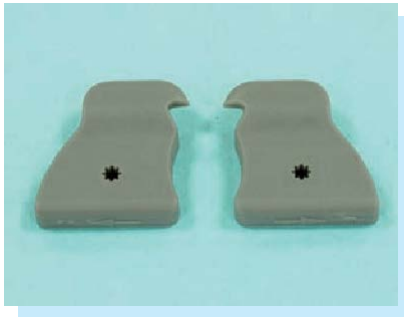
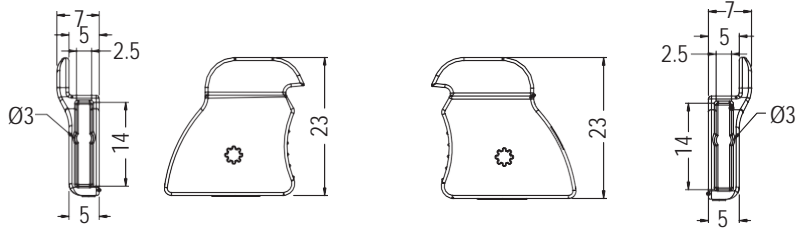


# CARD PULLER



- ◆ MATERIAL:PC+ABS (UL)
- ◆ FLAME CLASS:94V-0
- ◆ COLOR:GRAY/ORANGE
- ◆ UNIT:mm

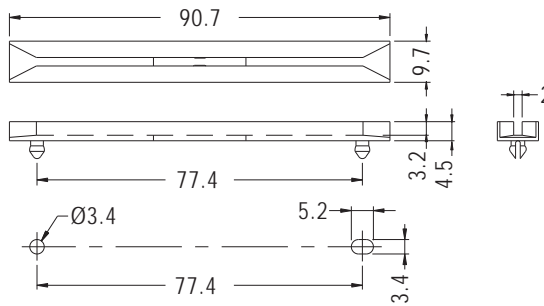
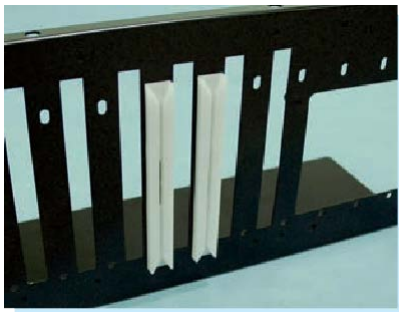


PART NO	PACKAGE
CP-76	1000

PART NO	PACKAGE
CP-77	1000

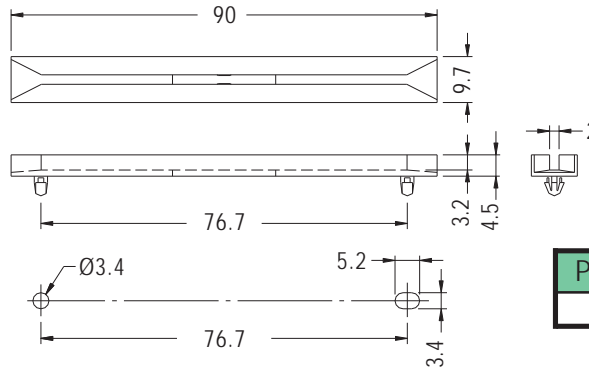
# CARD GUIDE

- ◆ MATERIAL:NYLON 66(UL)
- ◆ FLAME CLASS:94V-2/94V-0
- ◆ COLOR:NATURAL/BLACK
- ◆ UNIT:mm



MOUNTING HOLES

PART NO	PACKAGE
CG-9A	250

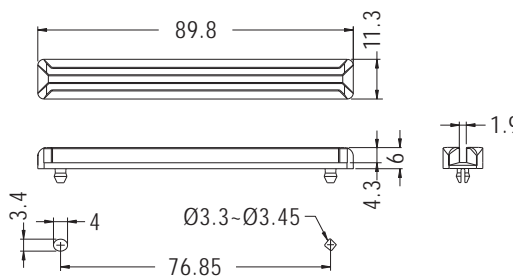


MOUNTING HOLES  
CHASSIS THICKNESS 1.2

PART NO	PACKAGE
CG-9B	250

# CARD GUIDE

- ◆ MATERIAL:NYLON 66(UL)
- ◆ FLAME CLASS:94V-2/94V-0
- ◆ COLOR:NATURAL/BLACK
- ◆ UNIT:mm



MOUNTING HOLES  
CHASSIS THICKNESS 1.2-2.3

PART NO	PACKAGE
CG-9D	500

