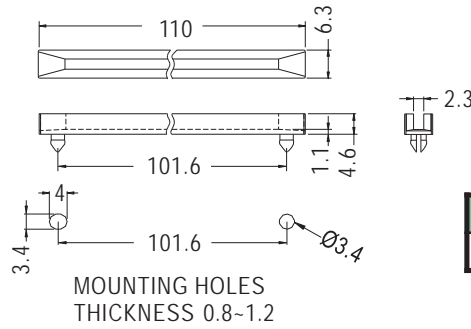
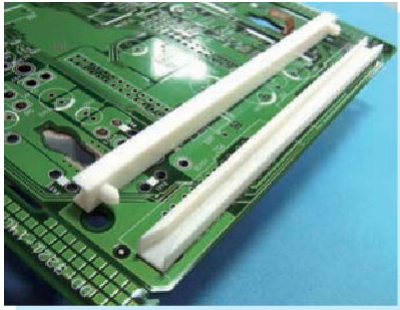


# CARD GUIDE

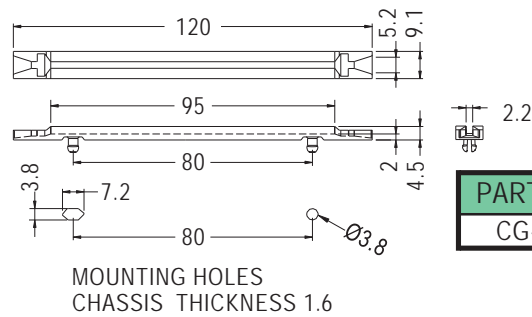
- ◆ MATERIAL: NYLON 66 (UL)
- ◆ FLAME CLASS: 94V-2/94V-0
- ◆ COLOR: NATURAL/BLACK
- ◆ UNIT: mm



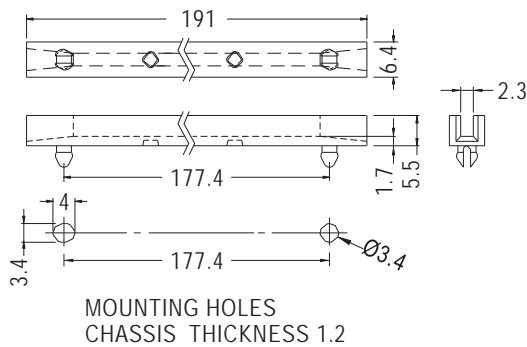
PART NO	PACKAGE
CG-110	100

# CARD GUIDE

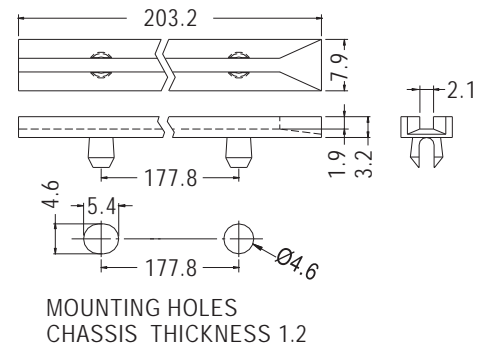
- ◆ MATERIAL: NYLON 66 (UL)
- ◆ FLAME CLASS: 94V-2/94V-0
- ◆ COLOR: NATURAL/BLACK
- ◆ UNIT: mm



PART NO	PACKAGE
CG-120	100

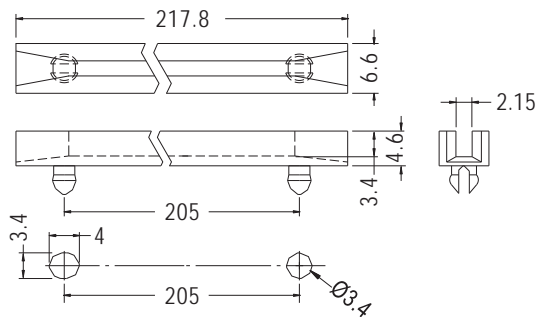


PART NO	PACKAGE
CG-191	100

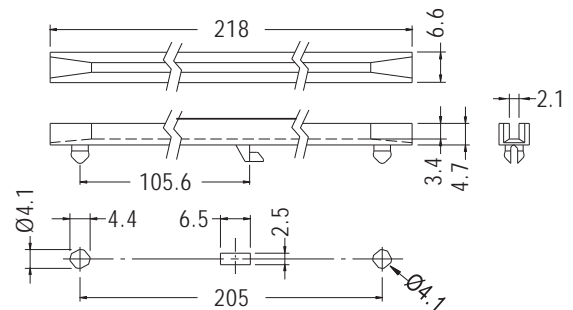


PART NO	PACKAGE
CG-203	100

- ◆ MATERIAL: PC (UL)
- ◆ COLOR: BLACK



PART NO	PACKAGE
CG-218	100



PART NO	PACKAGE
CGF-218	100

