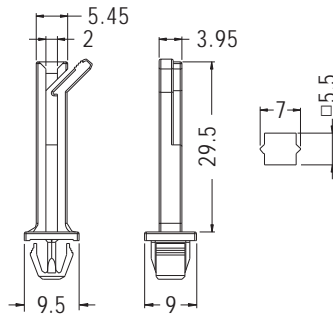


CARD GUIDE

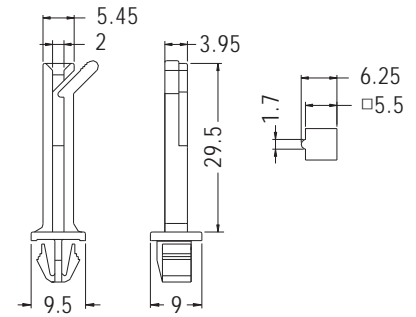


- ◆ MATERIAL: NYLON 66 (UL)
- ◆ FLAME CLASS: 94V-2/94V-0
- ◆ COLOR: NATURAL/BLACK
- ◆ UNIT: mm



MOUNTING HOLE THICKNESS 1.2-1.8

PART NO	PACKAGE
CGH-31	500

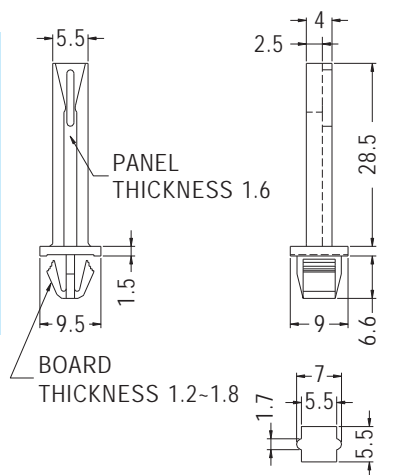
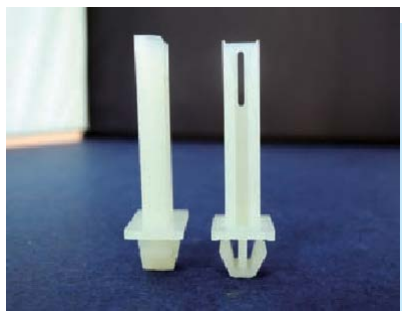


MOUNTING HOLE THICKNESS 2.0-3.0

PART NO	PACKAGE
CGH-31L	500

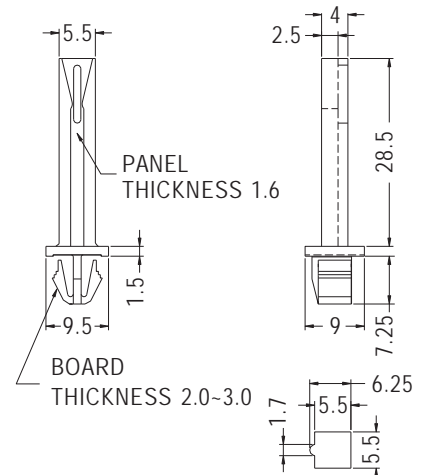
CARD GUIDE

- ◆ MATERIAL: NYLON 66 (UL)
- ◆ FLAME CLASS: 94V-2/94V-0
- ◆ COLOR: NATURAL/BLACK
- ◆ UNIT: mm



MOUNTING HOLE

PART NO	PACKAGE
CGH-37	1000

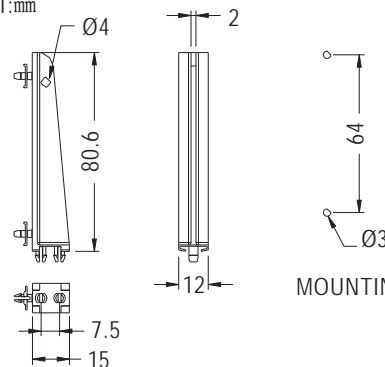


MOUNTING HOLE

PART NO	PACKAGE
CGH-37L	1000

CARD GUIDE

- ◆ MATERIAL: NYLON 66 (UL)
- ◆ FLAME CLASS: 94V-2/94V-0
- ◆ COLOR: NATURAL/BLACK
- ◆ UNIT: mm



MOUNTING HOLES

PART NO	PACKAGE
CGC-1	250

