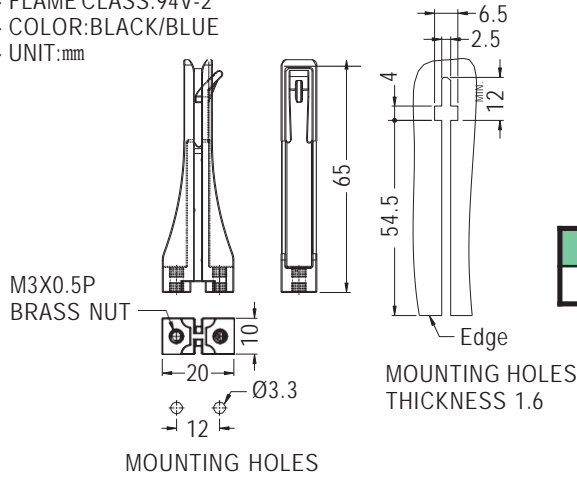


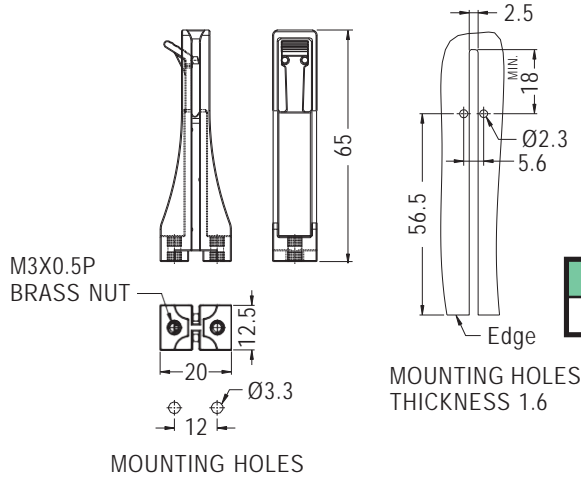
# CARD GUIDE



- ◆ MATERIAL:PC+ABS (UL)
- ◆ FLAME CLASS:94V-2
- ◆ COLOR:BLACK/BLUE
- ◆ UNIT:mm

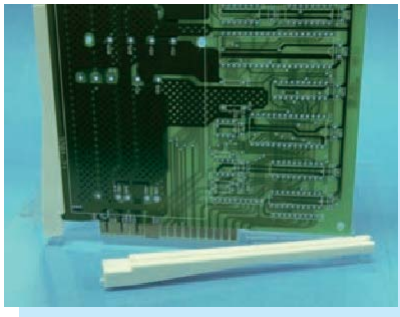


PART NO	PACKAGE
CGHA-65	500

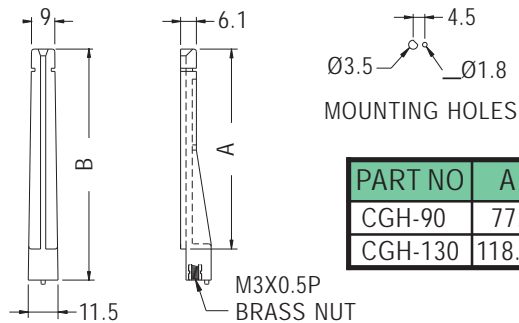


PART NO	PACKAGE
CGHB-65	500

# CARD GUIDE

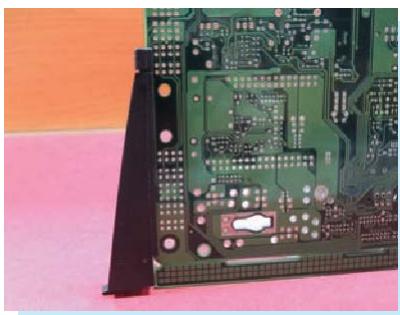


- ◆ MATERIAL:NYLON 66 (UL)
- ◆ FLAME CLASS:94V-2/94V-0
- ◆ COLOR:NATURAL/BLACK
- ◆ UNIT:mm

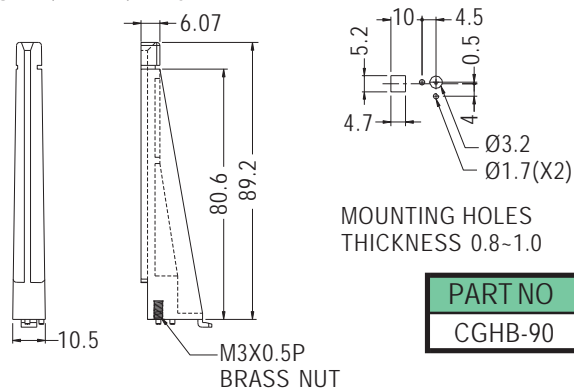


PART NO	A	B	PACKAGE
CGH-90	77.2	89.2	200
CGH-130	118.5	130.0	100

# CARD GUIDE



- ◆ MATERIAL:NYLON 66 (UL)
- ◆ FLAME CLASS:94V-2/94V-0
- ◆ COLOR:NATURAL/WHITE/BLACK
- ◆ UNIT:mm



PART NO	PACKAGE
CGHB-90	1000

