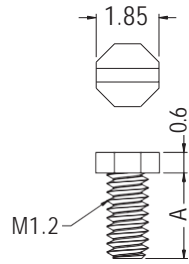


SCREW



- ◆ MATERIAL:NYLON 66 (UL)
- ◆ FLAME CLASS:94HB
- ◆ COLOR:BLACK
- ◆ UNIT:mm

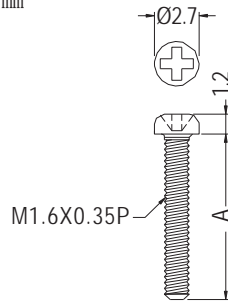


PART NO	A	PACKAGE
M1.2-2.5	2.5	1000
M1.2-3	3.0	
M1.2-4	4.0	
M1.2-5	5.0	
M1.2-6	6.0	

SCREW



- ◆ MATERIAL:NYLON 66 (UL)
- ◆ FLAME CLASS:94HB
- ◆ COLOR:BLACK
- ◆ UNIT:mm

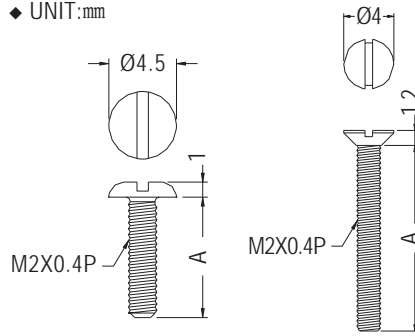


PART NO	A	PACKAGE
M1.6-3	3.0	1000
M1.6-4	4.0	
★ M1.6-4.5	4.5	
M1.6-5	5.0	
M1.6-6	6.0	
M1.6-7	7.0	
M1.6-8	8.0	
M1.6-9	9.0	
M1.6-10	10.0	

SCREW



- ◆ MATERIAL:NYLON 66 (UL)
- ◆ FLAME CLASS:94V-2/94V-0
- ◆ COLOR:NATURAL/BLACK
- ◆ UNIT:mm



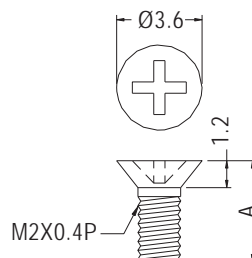
FOR M12-14.8F

PART NO	A	PACKAGE
M12-6	6.0	1000
M12-8	8.0	
M12-10	10.0	
M12-12	12.0	
M12-14.8F	14.8	

SCREW



- ◆ MATERIAL:PC (UL)
- ◆ FLAME CLASS:94V-2
- ◆ COLOR:NATURAL
- ◆ UNIT:mm



PART NO	A	PACKAGE
M2-4.5F	4.5	2000
M2-5.5F	5.5	
M2-6.5F	6.5	
M2-7.5F	7.5	
M2-8.5F	8.5	

