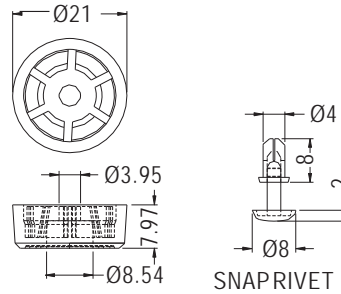


PLASTIC FOOT



- ◆ FOOT MATERIAL:TPR
- ◆ PIN MATERIAL:NYLON 66 (UL) 94V-2
- ◆ COLOR:BLACK
- ◆ UNIT:mm



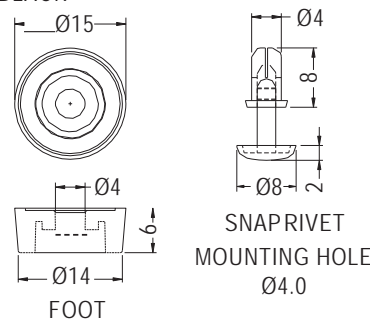
HOLE Ø4.1-Ø4.2
THICKNESS 0.8-2.0

PART NO	PACKAGE
FF-46	1000

PLASTIC FOOT



- ◆ FOOT MATERIAL:TPV
- ◆ PIN MATERIAL:NYLON 66 (UL) 94V-2
- ◆ COLOR:BLACK
- ◆ UNIT:mm



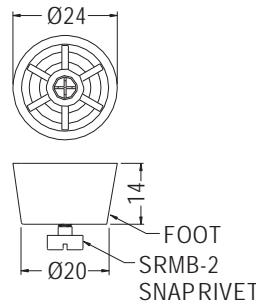
PART NO	PACKAGE
FF-47	1000

PLASTIC FOOT



NEW

- ◆ FOOT MATERIAL:TPE
- ◆ RIVET MATERIAL:NYLON 66(UL)
- ◆ FLAME CLASS:94V-2/94V-0
- ◆ COLOR:BLACK
- ◆ UNIT:mm

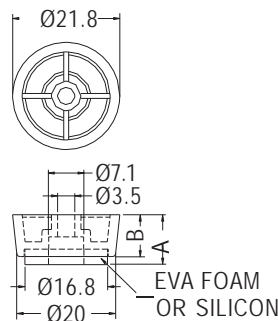


PART NO	PACKAGE
FF-52F	1000

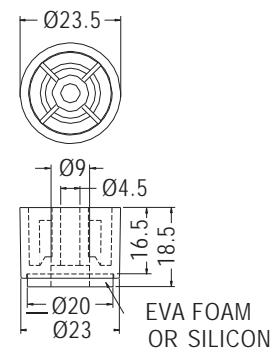
PLASTIC FOOT



- ◆ MATERIAL:ABS
- ◆ COLOR:BLACK
- ◆ UNIT:mm



PART NO	A	B	PACKAGE
FFS-1	10.0	8.5	500
FFS-2	15.0	13.5	



PART NO	PACKAGE
FFS-5	500

