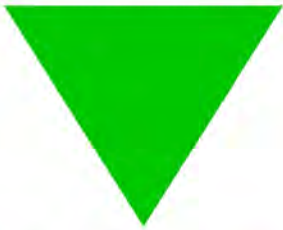


PLASTIC PARTS for PCB

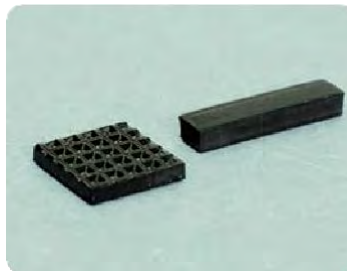
PLASTIC FOOT
RUBBER FOOT
EVA FOAM

TOPTTEK®

HARDWARE ELECTRONIC MANUFACTURER

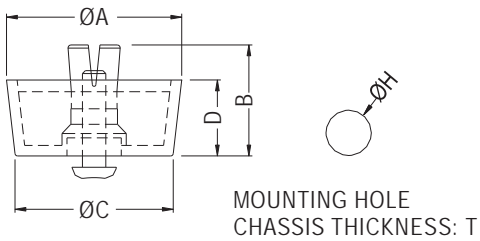


www.toptek-co.com



PLASTIC FOOT

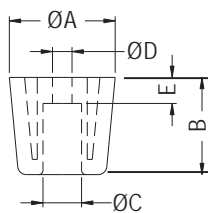
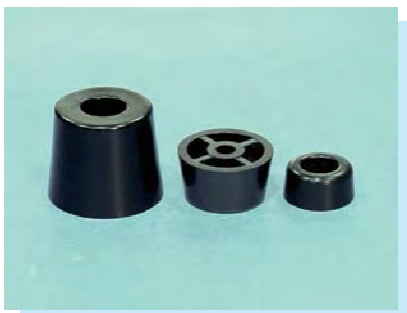
- ◆ MATERIAL:PE/TPR
- ◆ PIN MATERIAL:PP
- ◆ COLOR:BLACK/GRAY/COMPUTER
- ◆ UNIT:mm



PARTNO	A	B	C	D	H	T	PACKAGE
FF-1	20.8	11.8	19.8	6.4	8.0	1.0-2.5	500
FF-2	20.0	15.4	18.0	10.0			250
FF-3	23.7	19.2	19.5	13.7			500
FF-4	25.0	12.5	23.5	6.5			200
FF-5	30.0	18.8	27.7	12.8			250
FF-6	28.5	14.0	26.5	8.2	10.0	1.0-3.5	250
FF-7	12.7	8.5	12.0	4.4	5.0	1.0-2.0	1000
FF-8	15.7	8.5	15.0	4.4			500
FF-9	20.0	7.0	18.6	4.0	8.0	1.0-2.5	250
FF-10	23.8	10.0	22.0	5.0			500
FF-11	31.5	13.6	28.5	7.8	10.0	1.0-3.5	250
FF-12	20.0	20.8	18.0	15.0	8.0	1.0-3.0	500
FF-13	20.0	24.3	18.0	18.0		0.8-1.0	250
FF-14	19.5	10.5	18.7	5.0		0.8-2.0	500
FF-16	29.4	23.0	26.5	15.0	10.0	1.0-3.5	100
FF-19	20.0	9.1	18.0	6.0	4.0	0.8	1000
FF-20	20.0	8.4	18.0	5.2	5.0		250
FF-21	20.0	25.6	19.3	20.5	8.0	0.8-2.0	500
FF-22	19.2	12.1	17.2	7.9		0.8-1.2	250
FF-24	23.0	13.3	21.0	8.0		0.8-2.0	500
FF-25	24.0	15.8	20.0	10.5		1.0-3.0	250
FF-26	22.0	10.5	21.0	3.5		250	
FF-27	26.7	21.0	24.8	16.0	10.0	0.8-2.0	100
FF-28	20.0	13.5	18.0	10.0			250
FF-31	27.0	12.0	26.0	6.9	10.0	0.8-2.0	100
FF-34	41.2	21.6	40.0	14.0			1000
FF-35	14.0	10.6	12.7	5.8	6.0	1.0-2.5	500
FF-36	22.0	10.5	20.0	3.5	8.0	1.0-3.0	1000
FF-41	20.8	12.6	19.8	7.2	8.0	1.0-2.5	500
FF-43	12.0	10.0	10.5	5.8	5.0		1000
FF-44	20.8	11.8	19.8	6.9	8.0		500
FF-51	20.0	17.8	18.0	14.0	5.0	1.6	500

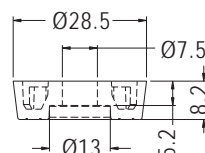
PLASTIC FOOT

- ◆ MATERIAL:ABS/PP
- ◆ COLOR:BLACK
- ◆ UNIT:mm



PARTNO	A	B	C	D	E	PACKAGE
FFT-1	15.0	8.0	7.5	3.7	3.5	1000
FFT-2	20.0	12.1	8.2	4.1	5.5	500
FFT-3	25.1	16.2	10.4	4.3	8.1	100
FFT-4	24.4	22.4	8.9	4.6	6.0	
FFT-5	26.0	12.7	10.9	5.1	5.7	
FFT-6	22.5	22.4	8.6	4.6	6.0	
FFT-7	17.0	17.0	7.5	3.2	6.0	
FFT-8	19.8	20.0	9.5	4.2	5.7	500
FFT-9	20.0	12.8	9.5	3.6	5.7	
FFT-10	20.0	10.5	9.2	4.4	4.0	
FFT-11	28.5	8.2	11.29	7.1	6.0	100

- ◆ MATERIAL:TPR
- ◆ COLOR:BLACK
- ◆ UNIT:mm



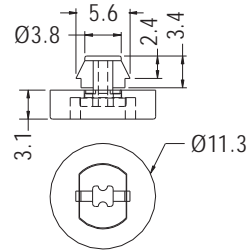
PARTNO	PACKAGE
FFT-15	200



PLASTIC FOOT



- ◆ MATERIAL:TPE
- ◆ PIN MATERIAL:NYLON 66 (UL) 94V-2
- ◆ COLOR:BLACK
- ◆ UNIT:mm



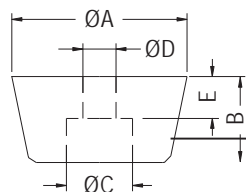
CHASSIS Ø4.0
THICKNESS 0.8-1.0

PART NO	PACKAGE
FF-15	1000

PLASTIC FOOT



- ◆ MATERIAL:P.V.C/RUBBER/PP
- ◆ COLOR:BLACK/WHITE
- ◆ UNIT:mm

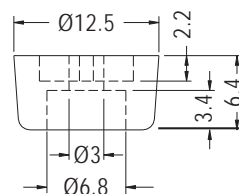


PART NO	A	B	C	D	E	MATERIAL	PACKAGE
NF-001	14.8	7.0	6.0	3.0	3.1	P.V.C	1000
NF-002	11.5	7.4	5.6	3.2	3.3	RUBBER	
NF-004	16.0	7.8	6.0	3.0	4.0	RUBBER	
NF-005	17.2	7.0	9.0	4.0	3.0	P.V.C	500
NF-006	20.2	8.0	10.0	3.0	4.0		
NF-007	25.0	5.8	8.5	3.3	2.8		
NF-008	20.0	10.5	9.8	3.0	5.0		
NF-008A	20.0	10.5	9.8	4.0	5.0	PP	1000
NF-009	11.0	5.7	6.0	3.5	2.3		
NF-013	18.0	9.8	7.8	3.5	2.7	P.V.C	100
NF-014	28.0	20.0	9.7	3.8	6.0	P.V.C	
NF-018	28.0	25.0	9.7	4.2	6.0	RUBBER	
NF-020	20.2	15.0	9.4	3.5	4.0		
NF-046	22.0	14.0	9.5	4.0	6.5	RUBBER	

PLASTIC FOOT



- ◆ FOOT MATERIAL:TPE
- ◆ COLOR:BLACK
- ◆ UNIT:mm

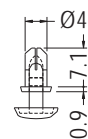
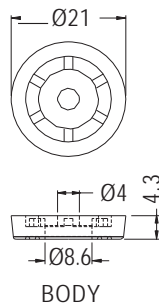


PART NO	PACKAGE
FF-37	1000

PLASTIC FOOT



- ◆ FOOT MATERIAL:TPE
- ◆ PIN MATERIAL:NYLON 66 (UL) 94V-2
- ◆ COLOR:BLACK
- ◆ UNIT:mm



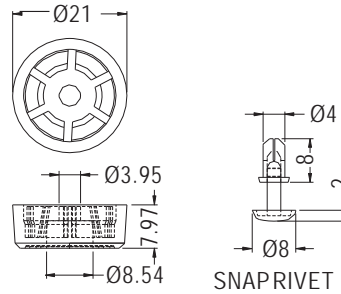
PART NO	PACKAGE
FF-40	1000



PLASTIC FOOT



- ◆ FOOT MATERIAL:TPR
- ◆ PIN MATERIAL:NYLON 66 (UL) 94V-2
- ◆ COLOR:BLACK
- ◆ UNIT:mm



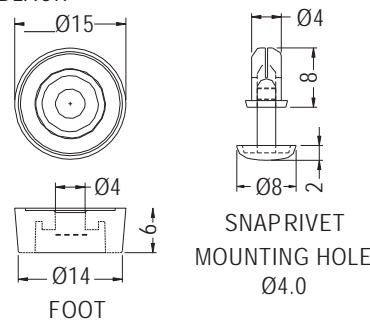
HOLE Ø4.1~Ø4.2
THICKNESS 0.8-2.0

PART NO	PACKAGE
FF-46	1000

PLASTIC FOOT



- ◆ FOOT MATERIAL:TPV
- ◆ PIN MATERIAL:NYLON 66 (UL) 94V-2
- ◆ COLOR:BLACK
- ◆ UNIT:mm



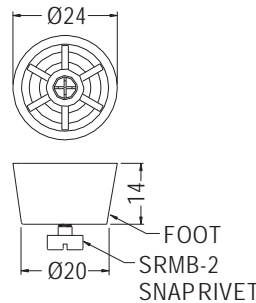
PART NO	PACKAGE
FF-47	1000

PLASTIC FOOT



NEW

- ◆ FOOT MATERIAL:TPE
- ◆ RIVET MATERIAL:NYLON 66(UL)
- ◆ FLAME CLASS:94V-2/94V-0
- ◆ COLOR:BLACK
- ◆ UNIT:mm

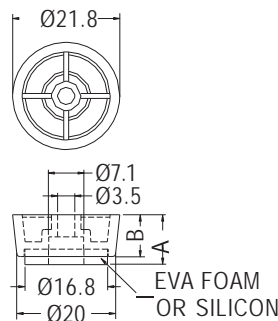


PART NO	PACKAGE
FF-52F	1000

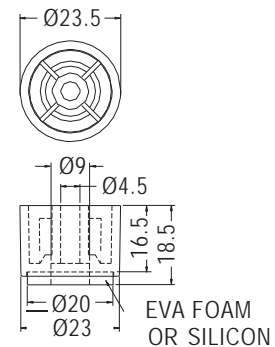
PLASTIC FOOT



- ◆ MATERIAL:ABS
- ◆ COLOR:BLACK
- ◆ UNIT:mm



PART NO	A	B	PACKAGE
FFS-1	10.0	8.5	500
FFS-2	15.0	13.5	

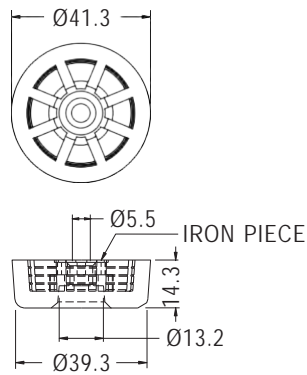


PART NO	PACKAGE
FFS-5	500



PLASTIC FOOT

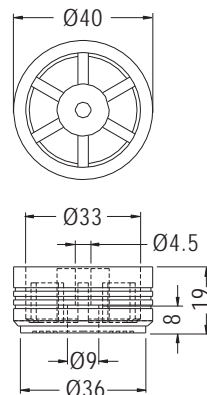
- ◆ HOUSING MATERIAL:TPR
- ◆ COLOR:BLACK
- ◆ UNIT:mm



PART NO	IRON PIECE	PACKAGE
FFR-1	STEEL	50

PLASTIC FOOT

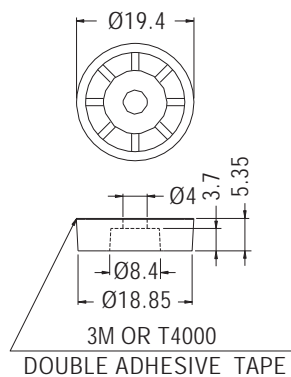
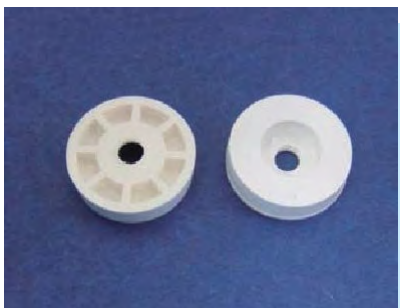
- ◆ MATERIAL:TPU
- ◆ COLOR:BLACK
- ◆ UNIT:mm



PART NO	PACKAGE
FFP-40	50

RUBBER FOOT

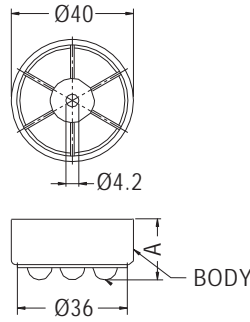
- ◆ MATERIAL:RUBBER
- ◆ COLOR:BLACK/WHITE
- ◆ UNIT:mm



PART NO	PACKAGE
TF-605	1000

ANTI VIBRATION FOOT

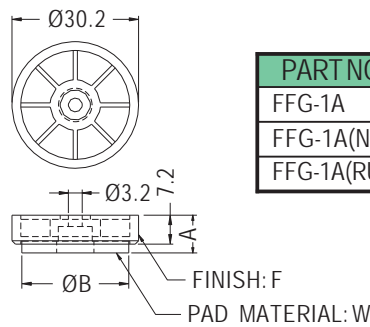
- ◆ BODY MATERIAL: ABS
- ◆ PAD MATERIAL: TPE
- ◆ COLOR: BLACK
- ◆ UNIT: mm



PART NO	A	PACKAGE
FFQ-1	20.0	500
FFQ-2	12.5	

SILVER PLATED FOOT

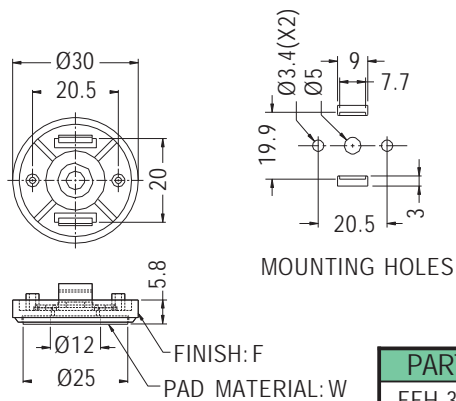
- ◆ MATERIAL: ABS (UL)
- ◆ FLAME CLASS: 94HB
- ◆ COLOR: BLACK
- ◆ UNIT: mm



PART NO	A	B	F	W
FFG-1A	9.1	25.0	SILVER PLATED	EVA
FFG-1A(N)	9.1	25.0		EVA
FFG-1A(RU)	8.2	25.0	SILVER PLATED	RUBBER

SILVER PLATED FOOT

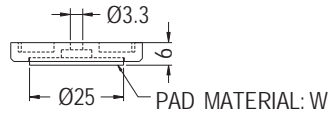
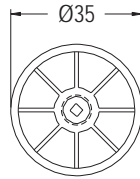
- ◆ HOUSING MATERIAL: ABS
- ◆ COLOR: BLACK
- ◆ UNIT: mm



PART NO	F	W
FFH-30S(RU)	SILVER PLATED	RUBBER

PLASTIC FOOT

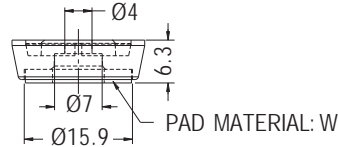
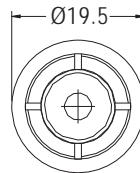
- ◆ HOUSING MATERIAL:ABS (UL)
- ◆ HOUSING FLAME CLASS:94HB
- ◆ COLOR:BLACK
- ◆ UNIT:mm



PART NO	W
FFK-5	RUBBER

PLASTIC FOOT

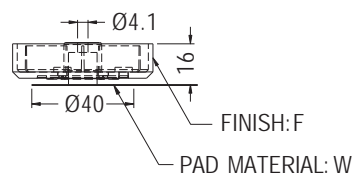
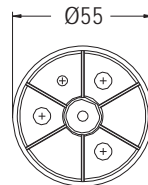
- ◆ HOUSING MATERIAL:ABS
- ◆ COLOR:BLACK
- ◆ UNIT:mm



PART NO	W
FFK-6	SILICON RUBBER

SILVER PLATED FOOT

- ◆ HOUSING MATERIAL:ABS
- ◆ COLOR:BLACK
- ◆ UNIT:mm

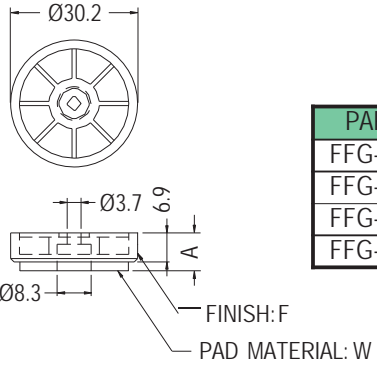


PART NO	F	W
RS-61N		TPR
RS-61S	SILVER PLATED	TPR

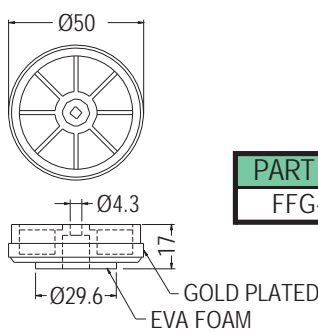


GOLD PLATED FOOT

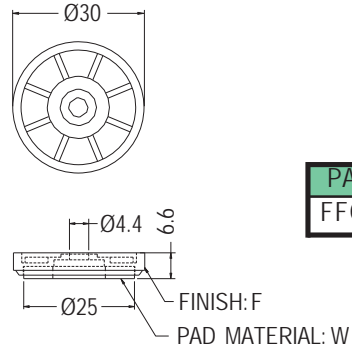
- ◆ HOUSING MATERIAL:ABS
- ◆ COLOR:BLACK
- ◆ UNIT:mm



PARTNO	A	F	W
FFG-1	9.0	SILVERPLATED	EVA
FFG-1(RU)	8.0	SILVERPLATED	RUBBER
FFG-1G(RU)		GOLDPLATED	
FFG-1N		SILVERPLATED	



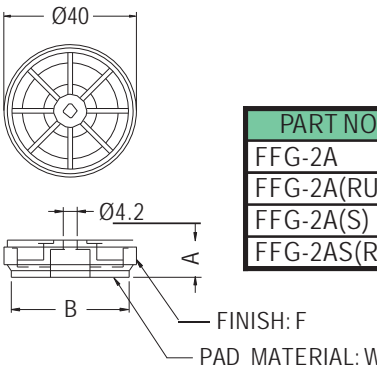
PARTNO
FFG-3



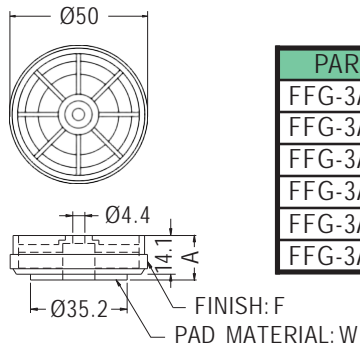
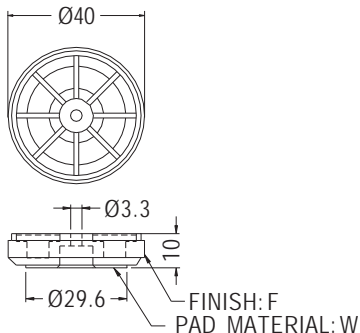
PART NO	F	W
FFG-30(S)	SILVERPLATED	EVA

GOLD PLATED FOOT

- ◆ HOUSING MATERIAL:ABS
- ◆ COLOR:BLACK
- ◆ UNIT:mm



PART NO	A	B	F	W
FFG-2A	10.8	35.5	GOLD PLATED	EVA
FFG-2A(RU)	10.2			RUBBER
FFG-2A(S)	11.0	35.0	SILVER PLATED	EVA
FFG-2AS(RU)	10.2	35.5		RUBBER



PART NO	A	F	W
FFG-3A	16.2	GOLD PLATED	EVA
FFG-3A(RU)	15.4		RUBBER
FFG-3A(S)	16.0	SILVERPLATED	EVA
FFG-3A(G)N		GOLDPLATED	
FFG-3AN	16.2		EVA
FFG-3AN(RU)	15.4		RUBBER

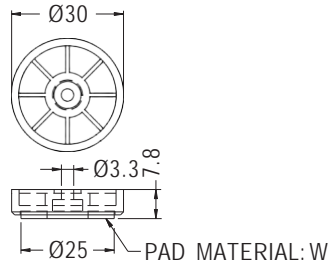
PART NO	F	W
FFG-2N		RUBBER
FFG-2(S)	SILVERPLATED	



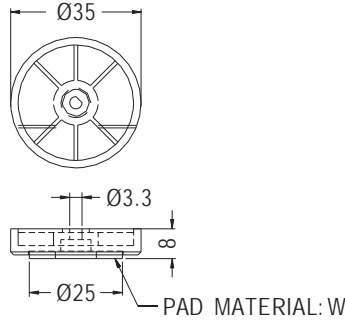
PLASTIC FOOT



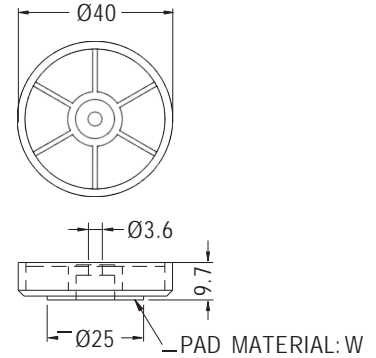
- ◆ HOUSING MATERIAL:ABS
- ◆ COLOR:BLACK
- ◆ UNIT:mm
- ◆ FFK SERIES:Without any silver/gold plated



PARTNO	W
FFK-1	EVA
FFK-1P	PORON
FFK-1(RU)	RUBBER



PARTNO	W
FFK-3	EVA
FFK-3P	PORON
FFK-3(RU)	RUBBER

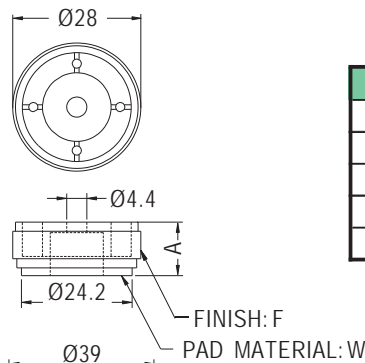


ONLY FOR:FFK-4P

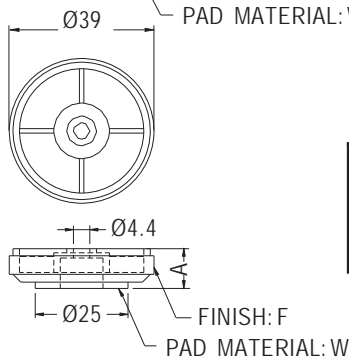
PART NO	W
FFK-2	EVA
FFK-2P	PORON
FFK-2(RU)	RUBBER
FFK-4P	PORON

GOLD PLATED FOOT

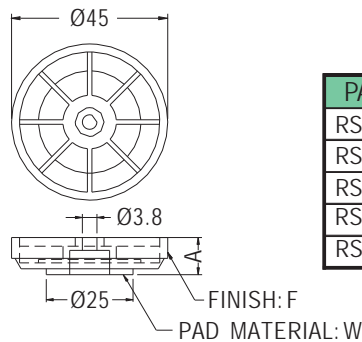
- ◆ HOUSING MATERIAL:ABS
- ◆ COLOR:BLACK
- ◆ UNIT:mm



PART NO	A	F	W
RS-28	11.7	GOLD PLATED	EVA
RS-28(S)		SILVER PLATED	
RS-28S(RU)	10.7		RUBBER
RS-28N(RU)			
RS-28(N)N	10.0		



PART NO	A	F	W
RS-40	10.7	GOLD PLATED	EVA
RS-40(S)		SILVER PLATED	
RS-40S(RU)	9.8		RUBBER

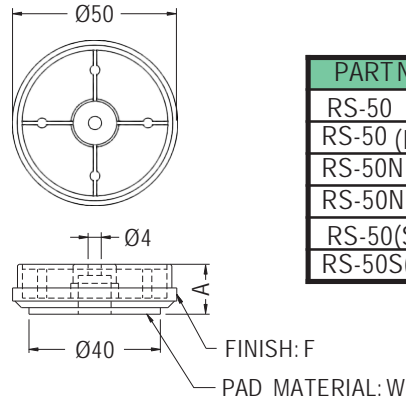


PART NO	A	F	W
RS-45	10.7	GOLD PLATED	EVA
RS-45(S)		SILVER PLATED	
RS-45(RU)	9.7	GOLD PLATED	RUBBER
RS-45S(RU)		SILVER PLATED	
RS-45(S)I		SILICON RUBBER	

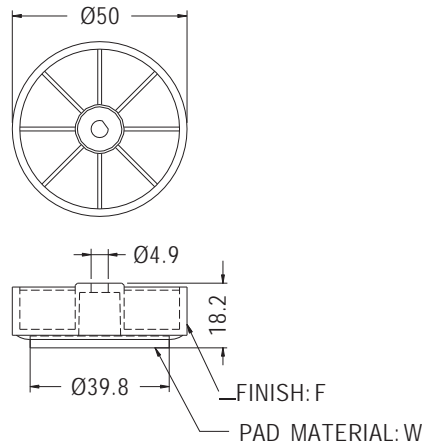


GOLD PLATED FOOT

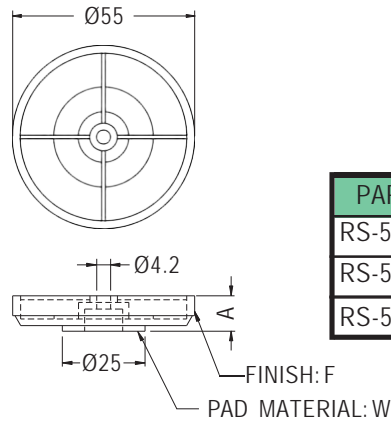
- ◆ HOUSING MATERIAL:ABS
- ◆ COLOR:BLACK
- ◆ UNIT:mm



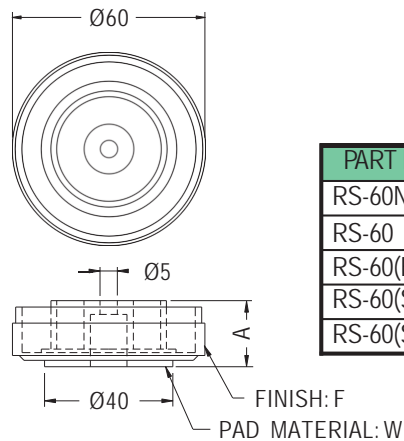
PARTNO	A	F	W
RS-50	14.8	GOLDPLATED	EVA
RS-50 (RU)	14.0		RUBBER
RS-50N	14.8	/	EVA
RS-50N(RU)	14.0		RUBBER
RS-50(S)	14.8	SILVERPLATED	EVA
RS-50S(R U)	14.0		RUBBER



PARTNO	F	W
RS-50-2	GOLDPLATED	EVA



PARTNO	A	F	W
RS-55	10.7	GOLD PLATED	EVA
RS-55(S)		SILVERPLATED	
RS-55S(RU)	9.7		RUBBER

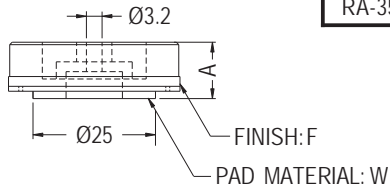
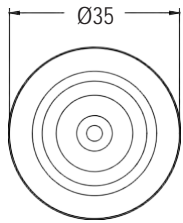


PART NO	A	F	W
RS-60N	20.0	/	EVA
RS-60			
RS-60(BK)		SILVER PLATED	
RS-60(S)			
RS-60(S)RU	19.3		



GOLD PLATED FOOT

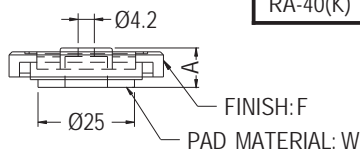
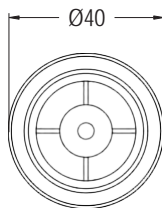
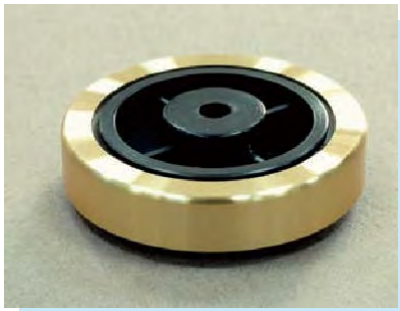
- ◆ HOUSING MATERIAL:ABS
- ◆ METAL MATERIAL:AL
- ◆ COLOR:BLACK
- ◆ UNIT:mm



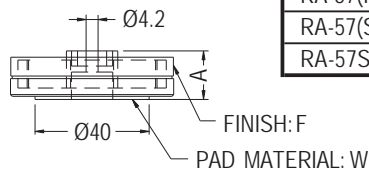
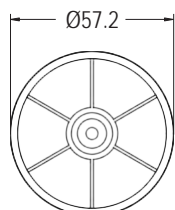
PARTNO	A	F	W
RA-35	11.5	GOLD PLATED	EVA
RA-35(S)		SILVER PLATED	RUBBER
RA-35(S)RU	10.5		

GOLD PLATED FOOT

- ◆ HOUSING MATERIAL:ABS
- ◆ METAL MATERIAL:AL
- ◆ COLOR:BLACK
- ◆ UNIT:mm



PARTNO	A	F	W
RA-40	12.0	GOLD PLATED	EVA
RA-40(RU)	11.0		RUBBER
RA-40(S)	12.0	SILVER PLATED	EVA
RA-40S(RU)	11.0		RUBBER
RA-40(K)	12.0	CHAMPAGNE COLOR	EVA

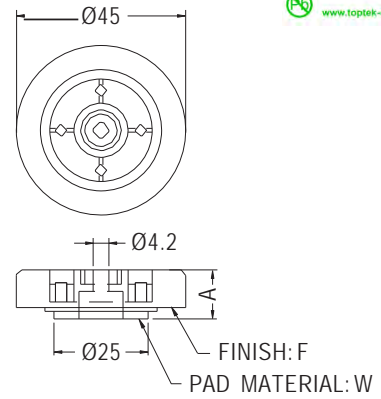
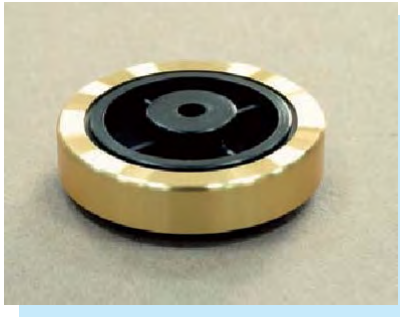


PARTNO	A	F	W
RA-57	17.0	GOLD PLATED	EVA
RA-57(RU)	17.1		RUBBER
RA-57(S)	17.0	SILVER PLATED	EVA
RA-57S(RU)	17.1		RUBBER

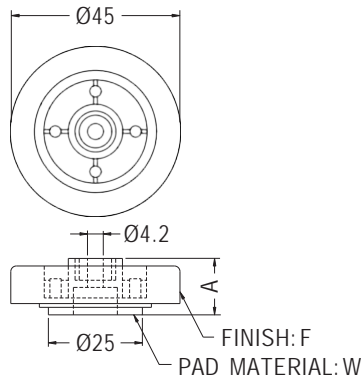


GOLD PLATED FOOT

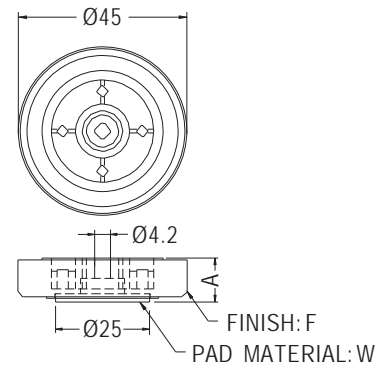
- ◆ HOUSING MATERIAL:ABS
- ◆ METAL MATERIAL:AL
- ◆ COLOR:BLACK
- ◆ UNIT:mm



PART NO	A	F	W
RA-45S-1	12.5	SILVER PLATED	EVA
RA-45-1(RU)	11.5	GOLD PLATED	RUBBER
RA45S-1(RU)		SILVER PLATED	



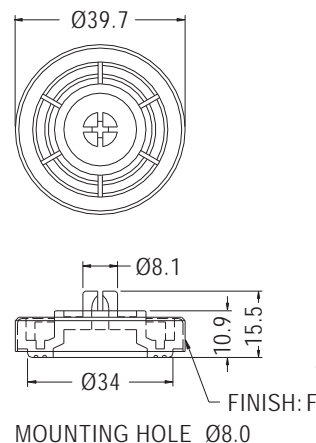
PART NO	A	F	W
RA-45	15.0	GOLD PLATED	EVA
RA-45(S)			
RA-45(RUS)	14.0	SILVER PLATED	RUBBER
RA-45S(RU)	14.1		RUBBER
RA-45S(I)			SILICON RUBBER



PART NO	A	F	W
RA-45S-3	12.5	SILVER PLATED	EVA

GOLD PLATED FOOT

- ◆ FOOT MATERIAL:PE
- ◆ PIN MATERIAL:PP
- ◆ METAL MATERIAL:AL
- ◆ COLOR:BLACK
- ◆ UNIT:mm



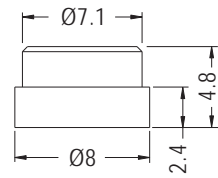
PART NO	F
RAFF-40	GOLD PLATED
RAFF-40(S)	SILVER PLATED
RAFF-40(B)	BLACK PLATED



RUBBER FOOT



- ◆ MATERIAL:RUBBER
- ◆ COLOR:BLACK
- ◆ UNIT:mm



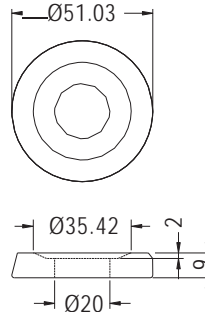
MOUNTING HOLE Ø7.0

PART NO	PACKAGE
TF-017	1000

RUBBER FOOT



- ◆ MATERIAL:RUBBER
- ◆ COLOR:BLACK
- ◆ UNIT:mm

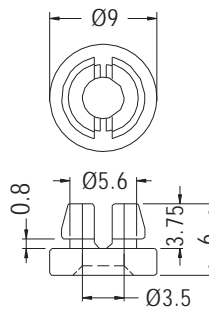


PART NO	PACKAGE
TF-448	500

SILICON RUBBER FOOT



- ◆ MATERIAL:SILICON RUBBER
- ◆ COLOR:BLACK
- ◆ UNIT:mm

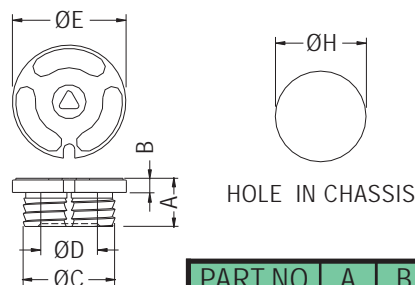


PART NO	PACKAGE
TF-5611	1000

PLASTIC FOOT



- ◆ MATERIAL:TPR
- ◆ COLOR:BLACK
- ◆ UNIT:mm

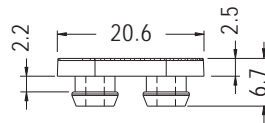


PART NO	A	B	C	D	E	H	PACKAGE
TFF-1	9.0	3.0	16.3	10.0	20.0	16.0	1000
TFF-2	8.5	2.5	16.3	10.0	20.0	16.0	
TFF-3	9.0	2.4	20.2	13.5	22.8	19.8	
TFF-5	7.5	2.5	16.3	10.0	20.0	16.0	

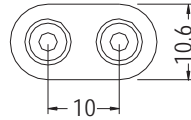


PLASTIC FOOT

- ◆ MATERIAL:TPR
- ◆ COLOR:BLACK
- ◆ UNIT:mm



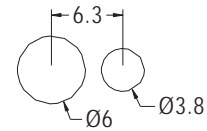
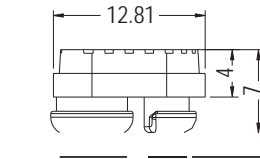
MOUNTING HOLE Ø5.6
THICKNESS 2.0



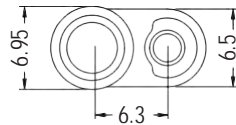
PART NO	PACKAGE
TNFF-1	1000

PLASTIC FOOT

- ◆ MATERIAL:TPR
- ◆ COLOR:BLACK/GRAY
- ◆ UNIT:mm



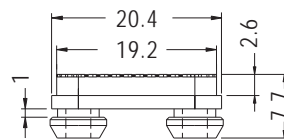
MOUNTING HOLE Ø5.6
CHASSIS THICKNESS 1.0-1.2



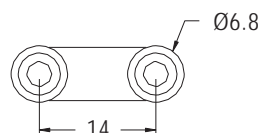
PART NO	PACKAGE
TNFF-2	1000

PLASTIC FOOT

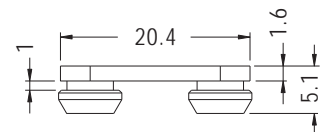
- ◆ MATERIAL:TPR
- ◆ COLOR:BLACK
- ◆ UNIT:mm



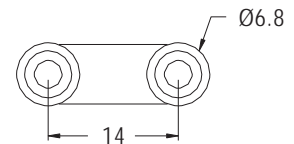
MOUNTING HOLE Ø5.0



PART NO	PACKAGE
TNFF-3	1000



MOUNTING HOLE Ø5.0



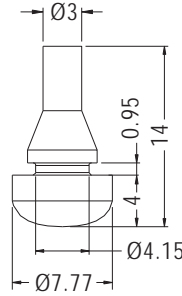
PART NO	PACKAGE
TNFF-4	1000



SILICON RUBBER FOOT

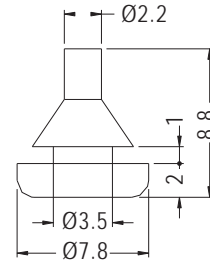


- ◆ MATERIAL: SILICON RUBBER
- ◆ COLOR: BLACK/GRAY
- ◆ UNIT: mm



MOUNTING HOLE $\varnothing 4.2$

PART NO	PACKAGE
TF-0411	1000



MOUNTING HOLE $\varnothing 3.5$

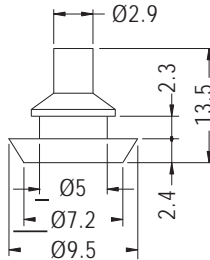
PART NO	PACKAGE
TF-546	1000



RUBBER FOOT

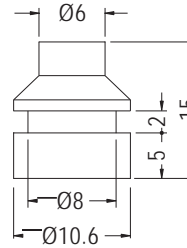


- ◆ MATERIAL: RUBBER
- ◆ COLOR: BLACK
- ◆ UNIT: mm



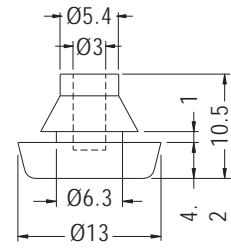
MOUNTING HOLE $\varnothing 5.2$

PART NO	PACKAGE
TNF-1	1000



MOUNTING HOLE $\varnothing 8.2$

PART NO	PACKAGE
TNF-2	1000

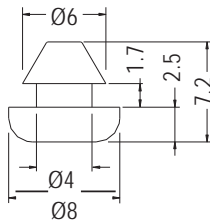


MOUNTING HOLE $\varnothing 6.35$

PART NO	PACKAGE
TNF-3	1000

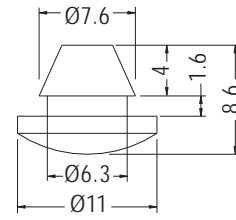


- ◆ MATERIAL: NEOPRENE



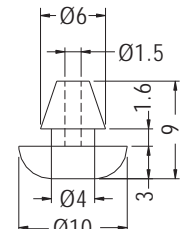
MOUNTING HOLE $\varnothing 4.2$

PART NO	PACKAGE
TNF-5	1000



MOUNTING HOLE $\varnothing 6.5$

PART NO	PACKAGE
TNF-6	2000



MOUNTING HOLE $\varnothing 4.0$

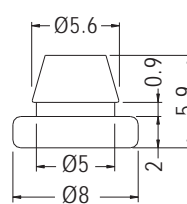
PART NO	PACKAGE
TNF-41	1000



SILICON RUBBER FOOT

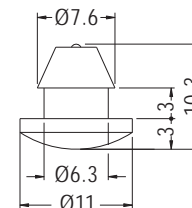


- ◆ MATERIAL: SILICON RUBBER (UL)
- ◆ FLAME CLASS: 94HB/94V-0
- ◆ COLOR: BLACK/WHITE
- ◆ UNIT: mm



MOUNTING HOLE $\varnothing 4.5\text{-}\varnothing 5.0$

PART NO	PACKAGE
TNF-7	2000



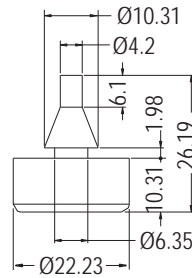
MOUNTING HOLE $\varnothing 6.3$

PART NO	PACKAGE
TNF-44	2000



RUBBER FOOT

- ◆ MATERIAL:NEOPRENE
- ◆ COLOR:BLACK
- ◆ UNIT:mm

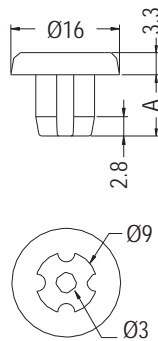


MOUNTING HOLE Ø8.0
 THICKNESS 2.0 MAX.

PART NO	PACKAGE
TNF-15	500

RUBBER FOOT

- ◆ MATERIAL:RUBBER
- ◆ COLOR:BLACK
- ◆ UNIT:mm

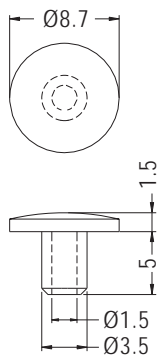


MOUNTING HOLE Ø8.3~Ø8.5

PART NO	A	PACKAGE
TNF-9	9.0	2000
TNF-19	6.5	

RUBBER FOOT

- ◆ MATERIAL:RUBBER
- ◆ COLOR:BLACK
- ◆ UNIT:mm



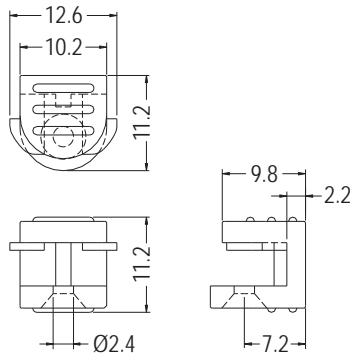
MOUNTING HOLE Ø3.5

PART NO	PACKAGE
TF-283	1000



PLASTIC FOOT

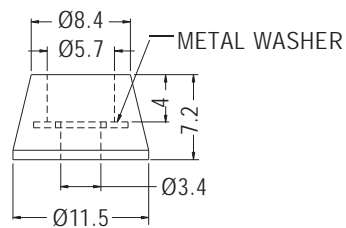
- ◆ MATERIAL:TPE
- ◆ COLOR:BLACK
- ◆ UNIT:mm



PARTNO	PACKAGE
DELT-21	1000

RUBBER FOOT

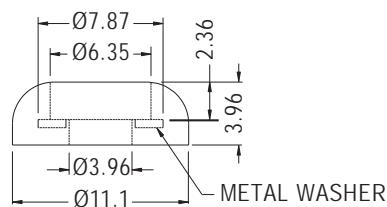
- ◆ MATERIAL:RUBBER
- ◆ COLOR:BLACK
- ◆ UNIT:mm



PARTNO	PACKAGE
NF-002ST	1000

RUBBER FOOT

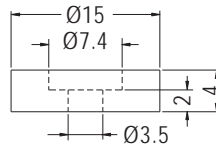
- ◆ MATERIAL:RUBBER
- ◆ COLOR:BLACK
- ◆ UNIT:mm



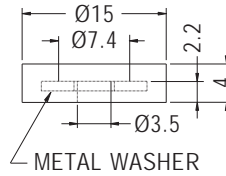
PARTNO	PACKAGE
NF-011ST	1000

RUBBER FOOT

- ◆ MATERIAL: RUBBER
- ◆ COLOR: BLACK
- ◆ UNIT: mm



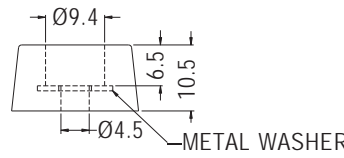
PART NO	PACKAGE
NF-012	1000



PART NO	PACKAGE
NF-012ST	1000

RUBBER FOOT

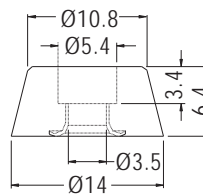
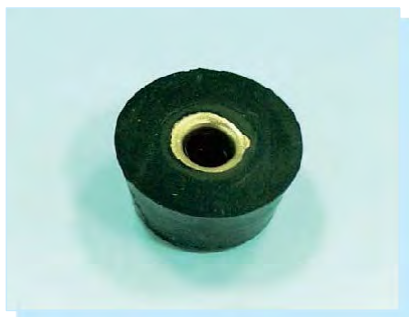
- ◆ MATERIAL: RUBBER
- ◆ COLOR: BLACK
- ◆ UNIT: mm



PART NO	PACKAGE
NF-015ST	1000

RUBBER FOOT

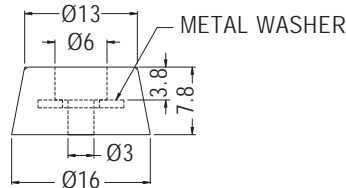
- ◆ MATERIAL: RUBBER
- ◆ METAL RING MATERIAL: BRONZE
- ◆ COLOR: BLACK
- ◆ UNIT: mm



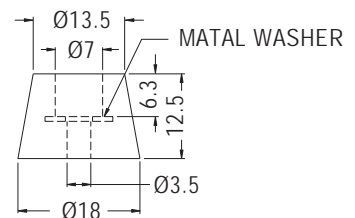
PART NO	PACKAGE
NF-016ST	1000

RUBBER FOOT

- ◆ MATERIAL: RUBBER
- ◆ COLOR: BLACK
- ◆ UNIT: mm



PART NO	PACKAGE
NF-004ST	1000

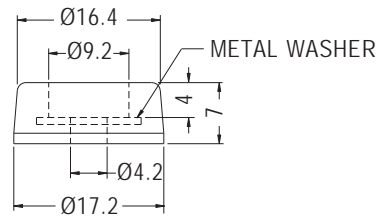


PART NO	PACKAGE
NF-039ST	1000

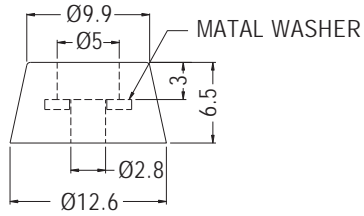


RUBBER FOOT

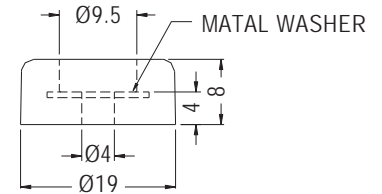
- ◆ MATERIAL: SILICON RUBBER (UL)/RUBBER
- ◆ FLAME CLASS: 94HB
- ◆ COLOR: BLACK
- ◆ UNIT: mm



PART NO	PACKAGE
NF-005ST	1000



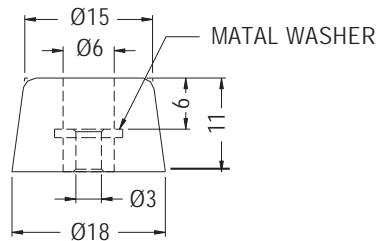
PART NO	PACKAGE
NF-0301ST	1000



PART NO	PACKAGE
NF-047ST	1000

RUBBER FOOT

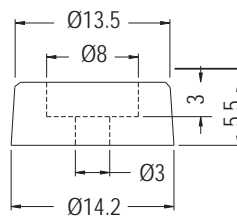
- ◆ MATERIAL: NEOPRENE (UL)
- ◆ FLAME CLASS: 94V-0
- ◆ COLOR: BLACK
- ◆ UNIT: mm



PART NO	PACKAGE
NF-035NPST	1000

PLASTIC FOOT

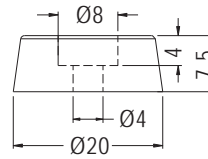
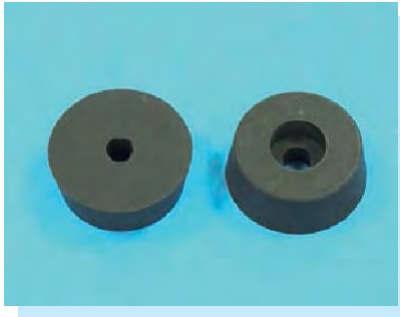
- ◆ MATERIAL: TPE
- ◆ COLOR: BLACK
- ◆ UNIT: mm



PART NO	PACKAGE
NF-031	1000

RUBBER FOOT

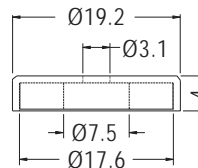
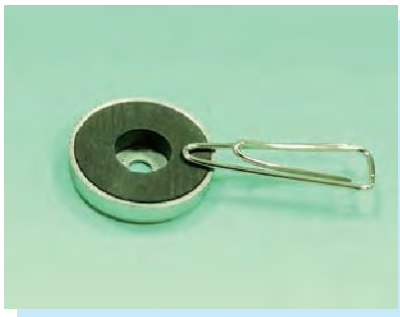
- ◆ MATERIAL:RUBBER
- ◆ COLOR:BLACK
- ◆ UNIT:mm



PARTNO	PACKAGE
NF-045	1000

MAGNET PLASTIC FOOT

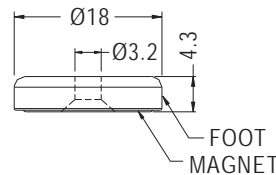
- ◆ METAL COVER MATERIAL:STEEL
- ◆ METAL COVER COLOR:
- ◆ MAGNET MATERIAL:
- ◆ MAGNET COLOR:BLACK
- ◆ UNIT:mm



PARTNO	PACKAGE
MGFF-1	500

MAGNET PLASTIC FOOT

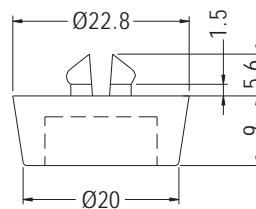
- ◆ FOOT MATERIAL:NYLON 66(UL)
- ◆ MAGNET MATERIAL:NdFeB
- ◆ FLAME CLASS:94V-2/94V-0
- ◆ COLOR:NATURAL/BLACK
- ◆ UNIT:mm



PARTNO	PACKAGE
MGFA-2	1000

PLASTIC FOOT

- ◆ MATERIAL:PE
- ◆ COLOR:BLACK
- ◆ UNIT:mm



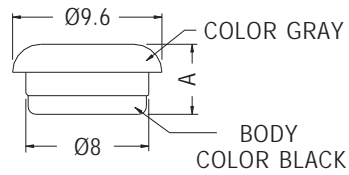
MOUNTING HOLE Ø8.0

PARTNO	PACKAGE
GL-4	500



SILICON RUBBER FOOT

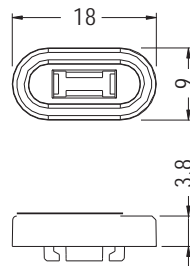
- ◆ MATERIAL: SILICON RUBBER
- ◆ BODY MATERIAL: NYLON 66 (UL)
- ◆ COLOR: BLACK/GRAY
- ◆ UNIT: mm



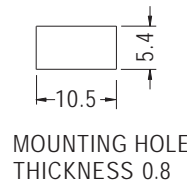
PARTNO	A	PACKAGE
FFDA-9AY	4.5	2000
FFDA-10AY	4.55	

PLASTIC FOOT

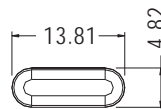
- ◆ MATERIAL: ABS (UL) 94HB/TPR
- ◆ COLOR: BLACK/WHITE
- ◆ UNIT: mm



ASFF-1A (BODY)



PARTNO	PACKAGE
ASFF-1A	1000

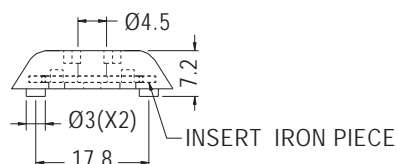
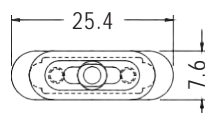


ASFF-1B (PIN)

PARTNO	PACKAGE
ASFF-1B	1000

PLASTIC FOOT

- ◆ MATERIAL: TPR
- ◆ METAL RING MATERIAL: SPCC
- ◆ COLOR: GRAY
- ◆ UNIT: mm

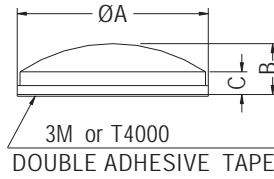


PARTNO	PACKAGE
TF-356	1000



RUBBER FOOT

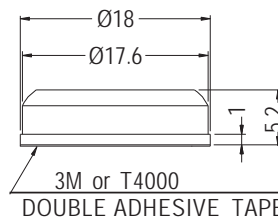
- ◆ MATERIAL:RUBBER
- ◆ COLOR:BLACK/WHITE/COMPUTER/GRAY/TRANSPARENT
- ◆ UNIT:mm



PARTNO	A	B	C
RF-004	9.9	3.8	2.8
RF14-5A	14.0	5.0	3.9
RF27-7AC-1	27.8	7.4	3.3

RUBBER FOOT

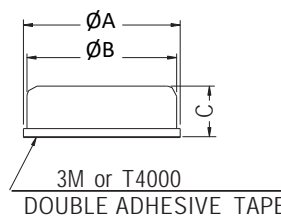
- ◆ MATERIAL:RUBBER
- ◆ COLOR:BLACK
- ◆ UNIT:mm



PARTNO
RF18-5A

RUBBER FOOT

- ◆ MATERIAL:RUBBER/SILICON RUBBER
- ◆ COLOR:BLACK
- ◆ UNIT:mm

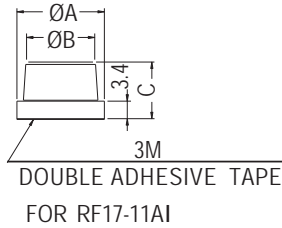
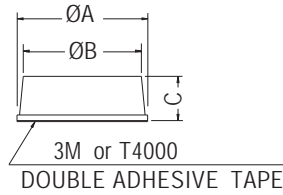


PART NO	A	B	C
★ RF5.8-4AI	5.8	5.5	4.0
RF8-3.5	8.0	8.2	3.5
RF8.2-5	8.2	7.6	5.0
RF9-3.5	9.0	8.2	3.5
RF9.7-4.2A	9.7	9.3	4.2
RF15.5-5A	15.4	14.8	5.1
RF19-4A7	19.05	18.05	4.06
RF22.8-5	22.8	22.4	5.0
RF22-8.8	22.0	21.0	8.8
RF22-5	22.0	21.0	5.0



RUBBER FOOT

- ◆ MATERIAL: RUBBER
- ◆ COLOR: BLACK/GRAY/COMPUTER
- ◆ UNIT: mm
- ◆ OTHER MATERIALS AVAILABLE: EPDM, SILICON,

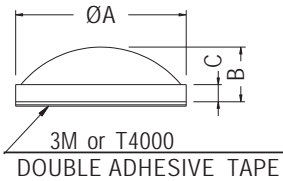


PART NO	A	B	C
RF6-5	6.0	5.0	5.0
RF7-3.2AI	6.6	7.0	3.2
RF-1094AI	10.0	9.0	9.4
RF-003	10.0	9.5	4.2
RF-030	10.0	9.5	8.0
RF-1055I	10.0	9.7	5.5
RF-009	10.8	10.2	3.0
RF11-5	11.0	9.6	5.0

PARTNO	A	B	C
RF-011	11.0	10.5	5.0
RF11-3.2A	11.3	10.7	3.2
RF12-27A	11.7	10.6	2.85
RF-039	11.9	11.2	6.4
RF-015	12.0	11.2	5.1
RF-019	12.0	9.5	4.0
RF-019A	12.7	10.0	3.8
RF-032	12.7	11.5	4.0
RF-005	13.0	11.4	5.0
RF-012	13.0	12.2	4.5
RF15-11A	15.0	13.5	11.0
★ RF17-11AI	17.0	13.25	11.0
RF-007	19.0	17.0	7.2
RF-020	19.0	15.8	4.2
RF20-5	19.8	18.0	5.0
RF-008	20.0	19.0	6.0
RF24-8	24.0	20.0	8.0

RUBBER FOOT

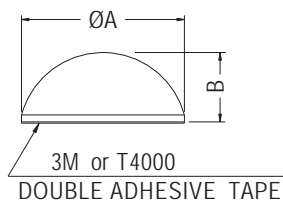
- ◆ MATERIAL: RUBBER
- ◆ COLOR: BLACK/GRAY/COMPUTER/TRANSPARENT
- ◆ UNIT: mm
- ◆ OTHER MATERIALS AVAILABLE: EPDM, SILICON,



PART NO	A	B	C
RF-002	10.0	2.8	1.0
RF8-2A	8.0	2.0	1.0
RF8-2.6A	8.0	2.6	1.1
★ RF21.6-11A	21.6	11.0	1.0

RUBBER FOOT

- ◆ MATERIAL: RUBBER
- ◆ COLOR: BLACK/GRAY/WHITE
- ◆ UNIT: mm
- ◆ OTHER MATERIALS AVAILABLE: EPDM, SILICON,

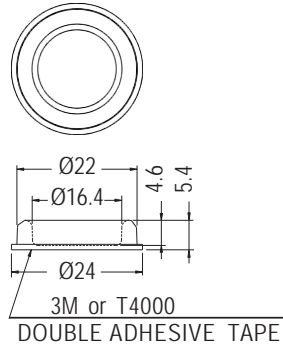


PARTNO	A	B
RF-021	6.7	4.2
RF7.8-2.9AI	7.8	2.9
RF9.5-3.9AI	9.5	3.9
RF-1106	11.0	6.0
RF-022	11.3	5.6
RF14-8A	14.0	8.0
RF-006	15.9	8.0
RF21-8.5	21.6	8.52
RF21-10	21.6	10.0

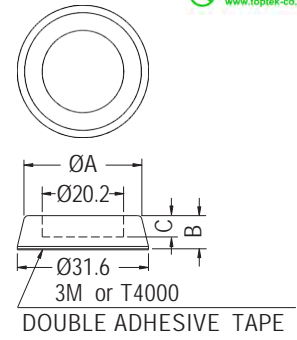


RUBBER FOOT

- ◆ MATERIAL: RUBBER
- ◆ COLOR: BLACK/GRAY/COMPUTER
- ◆ UNIT: mm



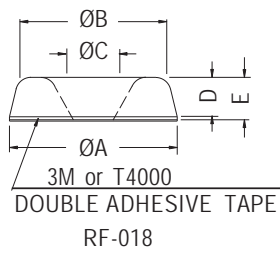
PARTNO
RF-031



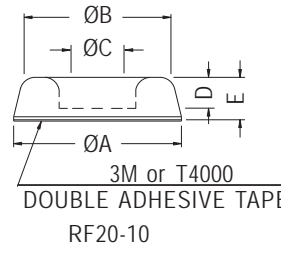
PARTNO	A	B	C
RF-016	29.6	6.6	4.1
RF-017	29.0	8.8	4.9

RUBBER FOOT

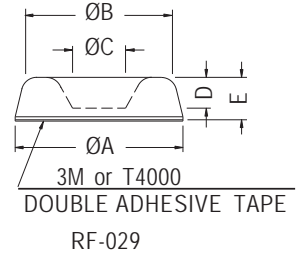
- ◆ MATERIAL: RUBBER
- ◆ COLOR: BLACK/GRAY
- ◆ UNIT: mm



RF-018



RF20-10

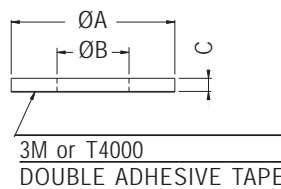


RF-029

PARTNO	A	B	C	D	E
RF-018	22.3	19.6	4.9	9.0	9.8
RF20-10	21.0	18.1	10.6	6.9	10.6
RF-029	22.3	19.0	6.5	7.2	10.2

RUBBER WASHER

- ◆ MATERIAL: RUBBER/SILICON RUBBER
- ◆ COLOR: BLACK
- ◆ UNIT: mm

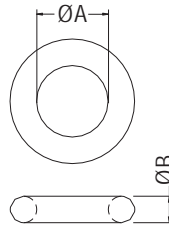


PARTNO	A	B	C
RWF3.5-0.5	8.0	3.5	0.5
RWF3.5-1	8.0	3.5	1.0
RWF3.5-1.5	11.0	3.5	1.5
★ RWF4.5-2I	8.0	4.5	2.0
★ RWF4.5-3I	15.0	4.5	3.0
RWF18-8.5-15	18.0	8.5	1.5
RWF20-1.5	20.0	6.0	1.5
RWF25-2	25.0	11.0	2.0
RWF10.2-2	29.6	10.2	2.0
RWF40-2	40.0	12.0	2.0
RWF43-2	43.0	30.1	2.0



ORING

- ◆ MATERIAL:NBR/NR/EPDM
- ◆ COLOR:BLACK
- ◆ UNIT:mm

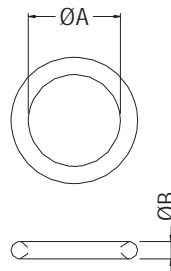


PARTNO	A	B	PACKAGE
OR-1.7	1.7	0.6	2000
OR-2	2.0	1.0	
OR-2.7	2.75	0.6	
OR-2.8	2.8	0.5	
OR-2.9	2.9	1.78	
OR-3.6	3.6	1.78	
OR-4	4.0	2.0	
OR-4.6	4.6	1.78	
OR-5	5.0	1.0	
OR5.5-11.8	5.5	3.15	

PARTNO	A	B	PACKAGE
OR-5.8	5.8	1.9	2000
OR-6	6.02	2.6	
OR6.07-1.63	6.07	1.63	
OR-7.6	7.65	1.78	
OR-7.9	7.9	1.0	
★OR7-2	8.0	2.0	
OR-11	11.0	2.0	
OR-21.3	21.3	3.0	
OR-25.2	25.2	3.5	
OR-84.4	84.4	3.1	
OR-88	20.0	1.0	2000

ORING

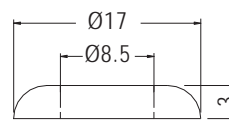
- ◆ MATERIAL:SILICON RUBBER
- ◆ COLOR:BLACK
- ◆ UNIT:mm



PARTNO	A	B	PACKAGE
OR2.4-1.9I	2.4	1.9	2000
OR8-1.5I	8.0	1.5	
OR10.5-1I	10.5	1.0	
OR15-1.5I	15.0	1.5	

RUBBER WASHER

- ◆ MATERIAL:RUBBER
- ◆ COLOR:BLACK
- ◆ UNIT:mm



PART NO
RWF8.5-3N

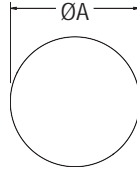


RUBBER FOOT



- ◆ MATERIAL: RUBBER
- ◆ COLOR: BLACK/GRAY/COMPUTER
- ◆ UNIT: mm
- ◆ OTHER MATERIALS AVAILABLE: EPDM, SILICON, ...
- ◆ PRL9-4 MATERIAL: PORON
- ◆ OPTIONAL THICKNESS: 0.5~3.2mm

WE MAKE DIFFERENT SIZE FOR YOUR ORDER.



3M or T4000
 DOUBLE ADHESIVE TAPE

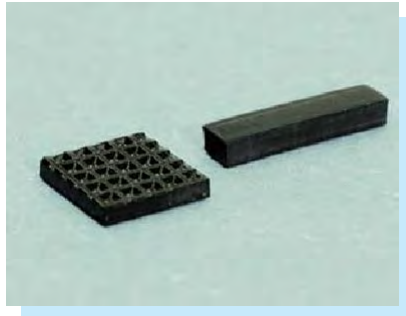
PART NO	A	B	
RF3.8-2	3.8	2.0	
RF0415	4.0	1.5	
RF4-0.5		0.5	
RF4-0.6		0.6	
RF4-3		3.0	
RF4.5-1.5	4.5	1.5	
RF4.5-2.7		2.7	
RF4.8-1	4.8	1.0	
RF5-1.5	5.0	1.5	
RF5-2		2.0	
RF5-2.5		2.5	
RF5-3.5		3.5	
RF5.3-0.7	5.3	0.7	
RF5.5-1.6	5.5	1.6	
RF5.6-2	5.6	2.0	
RF6-0.5	6.0	0.5	
RF6-0.8		0.8	
RF6-0.9		0.9	
RF6-1		1.0	
RF6-1.3		1.3	
RF6-1.5		1.5	
RF6-2		2.0	
RF6-2.5		2.5	
RF6-3		3.0	
RF6-3.5		3.5	
RF6.4-2.6	6.4	2.6	
RF6.5-1	6.5	1.0	
RF6.5-2.5		2.5	
RF6.6-1.5	6.6	1.5	
RF6.6-1.8		1.8	
RF6.6-2		2.0	
RF7-0.5	7.0	0.5	
RF7-0.9		0.9	
RF7-1		1.0	
RF7-1.5		1.5	
RF7-2		2.0	
RF7-2.5		2.5	
RF7-2.7		2.7	
RF7-3		3.0	
RF7.2-1.5		7.2	1.5
RF7.5-2		7.5	2.0
RF-001	8.0	1.8	
RF8-0.5		0.5	

PART NO	A	B	
RF8-1	8.0	1.0	
RF8-1.4		1.4	
RF8-1.5		1.5	
RF8-2		2.0	
RF8-2.5		2.5	
RF8-3	8.5	3.0	
RF8.5-1.5		1.5	
RF8.5-2	2.0		
RF9-1	9.0	1.0	
RF9-1.2		1.2	
RF9-1.5		1.5	
RF9-2		2.0	
RF9-2.5		2.5	
RF9-3	9.5	3.0	
RF9.5-0.8		0.8	
RF9.5-1.5		1.5	
RF9.5-1.8		1.8	
RF9.5-2		2.0	
RF9.5-3	3.0		
RF10-0.8	10.0	0.8	
RF10-1		1.0	
RF10-1.3		1.3	
RF-1016		1.6	
RF-1018		1.8	
RF10-2		2.0	
RF10-3		3.0	
RF10.5-1		10.5	1.0
RF10.5-15			1.5
RF10.5-2			2.0
RF-11632	11.6	3.2	
RF12-1.5	12.0	1.5	
RF-1210		1.0	
RF12-2.7		2.7	
RF-1220		2.0	
RF12-3		3.0	
RF12-3.6		3.6	
RF-1232		3.2	
RF-12520		12.5	2.0
RF12.5-1			1.0
RF12732		12.7	3.2
RF13-1	13.0	1.0	

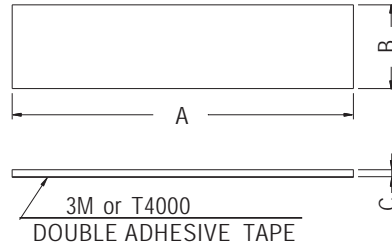
PART NO	A	B
RF13-3	13.0	3.0
RF14-4	14.0	4.0
RF14530	14.5	3.0
RF14.5-4		4.0
RF-1463	14.6	3.0
RF-1510	15.0	1.0
RF-1520		2.0
RF-1530		3.0
RF16.5-3	16.5	3.0
RF18-1.3	18.0	1.3
RF18-1.5		1.5
RF18-2.5		2.5
RF19-1	19.0	1.0
RF19-2		2.0
RF19-3		3.0
RF19-4		4.0
RF-19823	19.8	2.3
RF20-1	20.0	1.0
RF20-1.5		1.5
RF20-1.8		1.8
RF-2023		2.3
RF-2025		2.5
RF-2030		3.0
RF22-2	22.0	2.0
RF22-2.5		2.5
RF22.1-10.4	21.7	10.4
RF24.6-3	24.6	3.0
RF25-2.3	25.0	2.3
RF27-3	27.0	3.0
RF28-3.2	28.0	3.2
RF30-2	30.0	2.0
RF40-1	40.0	1.0
RF58-1.5	58.0	1.5
RF58-2		2.0
RF64.7-2.5S	64.7	2.5



- ◆ MATERIAL: RUBBER
- ◆ COLOR: BLACK/GRAY/ COMPUTER
- ◆ UNIT: mm
- ◆ OTHER MATERIALS AVAILABLE: EPDM, SILICON, ...
- ◆ OPTIONAL THICKNESS IS BETWEEN 0.5-10mm



WE MAKE DIFFERENT SIZE FOR YOUR ORDER.



PART NO	A	B	C	
SF050435	5.0	4.5	3.5	
SF062313	6.0	2.3	1.3	
SF060425		4.0	2.5	
SF652840	6.5	2.8	4.0	
SF652850		5.0		
SF070215	7.0	2.0	1.5	
SF070216		1.6		
SF070304		3.0	0.4	
SF073512		3.5	1.2	
SF070420		4.0	2.0	
SF070620		6.0		
SF080625		8.0	2.5	
SF852530		8.5	2.5	3.0
SF853520			3.5	2.0
SF853525			2.5	
SF80452	8.0	4.5	2.0	
SF090855	9.6	8.0	5.5	
SF100616	9.9	6.0	1.6	
SF100119	10.0	1.9	1.9	
SF103512		3.5	1.2	
SF100409		4.0	0.9	
SF100510		5.0	1.0	
SF100520		2.0		
SF100712		7.0	1.2	
SF100825		8.0	2.5	
SF100850		5.0		
SF100730		10.5	7.2	3.0
SF110830		11.5	8.0	
SF118781	11.8	7.8	1.0	
SF120565	12.0	5.0	6.5	
SF120810		8.5	1.0	
SF129515		9.5	1.5	
SF121530		15.0	3.0	
SF1256535	12.5	6.5	3.5	
SF1251008		10.0	0.8	
SF-1251015		1.5		
SF130620	13.0	6.0	2.0	
SF130630		3.0		
SF130735		3.5		
SF130740		7.0	4.0	
SF130855		13.5	8.0	5.5
SF132525	13.0	2.5	2.5	

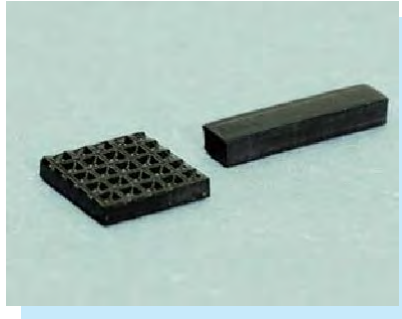
PART NO	A	B	C
SF140430	14.0	4.0	3.0
SF140440		4.0	
SF150320	15.0	3.2	2.0
SF150610		6.0	1.0
SF151016		10.0	1.6
SF151930		1.9	
SF152530		25.0	3.0
SF155030		50.0	
SF1585601	15.8	5.6	1.0
SF151025		10.0	2.5
SF-163530	16.0	3.5	3.0
SF160536		5.0	3.6
SF170525	17.0	2.5	
SF1724330	17.2	4.3	3.0
SF180930	18.0	9.0	3.0
SF181010		10.0	1.0
SF181020		2.0	
SF195640	19.0	5.6	4.0
SF195720		5.7	2.0
SF-197774	19.7	7.7	4.0
SF197760		6.0	
SF190814		8.0	1.4
SF190815		1.5	
SF-1979723		2.3	
SF1979725		9.7	2.5
SF1979730		3.0	
SF-1972015		20.0	1.5
SF202515		2.5	
SF200410		20.0	4.0
SF200420	2.0		
SF200510	5.0	1.0	
SF200515		1.5	
SF200563		6.3	
SF200568		6.8	
SF200725	7.0	2.5	
SF201010	10.0	1.0	
SF201015		1.5	
SF201020		2.0	
SF201035		3.5	
SF201056		5.6	
SF201465	14.0	6.5	
SF201515	15.0	1.5	

PART NO	A	B	C
SF200612	20.5	6.0	1.2
SF210804	21.5	8.6	0.4
SF-221615	22.0	16.0	1.5
SF227640	22.6	7.6	4.0
SF237640	23.0		
SF230610	23.7	6.5	1.0
SF246011	24.8	6.0	1.1
SF250535	25.0	5.0	3.5
SF250550		5.0	5.0
SF250760		7.0	6.0
SF250810		1.0	
SF250815	8.0	1.5	
SF250820		2.0	
SF251235	25.4	12.0	3.5
SF251224		12.7	2.4
SF251232		3.2	
SF260510	26.8	5.5	1.0
SF270830	27.0	8.0	3.0
SF271810		1.0	
SF271820		18.0	2.0
SF271831		3.0	
SF279032	27.5	9.0	3.2
SF-3064	30.0	6.0	4.0
SF303555		3.5	5.5
SF-30709		7.0	0.9
SF3038		8.0	3.8
SF-301120		11.0	2.0
SF-301140		4.0	
SF301230		12.0	3.0
SF301250		5.0	
SF301525		15.0	2.5
SF302055		20.0	5.5
SF302501	25.0	1.0	
SF30511	30.5	11.0	7.0
SF311510	31.5	15.5	1.0
SF311515		1.5	
SF3267225	32.0	6.7	2.25
SF321720		17.0	2.0
SF321725		2.5	
SF332055	33.0	20.0	5.5
SF332385	33.3	23.3	8.5
SF331125	33.5	11.5	2.5

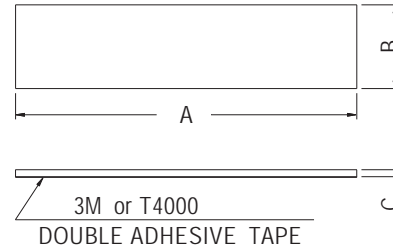


RUBBER FOOT

- ◆ MATERIAL: RUBBER
- ◆ COLOR: BLACK/GRAY/COMPUTER
- ◆ UNIT: mm
- ◆ OTHER MATERIALS AVAILABLE: EPDM, SILICON,
- ◆ OPTIONAL THICKNESS IS BETWEEN 0.5~10mm



WE MAKE DIFFERENT SIZE FOR YOUR ORDER.

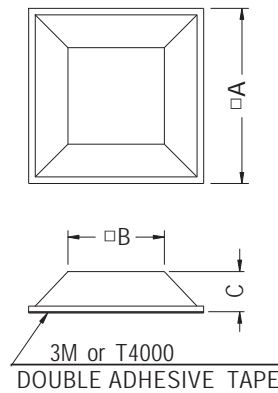
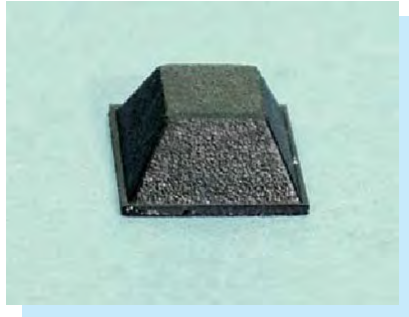


PART NO	A	B	C	PART NO	A	B	C
SF340220	34.0	2.0	2.0	SF700525		5.0	2.5
SF340904	34.6	9.5	0.4	SF701820	70.0	18.0	2.0
SF-340901	34.7	9.7	1.0	SF702010		20.0	1.0
SF351001		10.0		SF764005	76.0	40.0	0.5
SF351580	35.0	15.0	8.0	SF-801004	80.0	10.0	
SF352508		25.0	0.8	SF845208	84.6	52.6	0.8
SF361810	36.0	18.0	1.0	SF880810	88.0	8.0	1.0
SF361820			2.0	SF951232	95.0	12.0	3.2
SF400509	39.5	5.0	0.9	SF980830	98.0	8.0	3.0
SF-4009			1.5	SF993555	99.0	3.5	5.5
SF400924		9.0	2.4	SF990915		9.9	1.5
SF400930			3.0	LSF-002	100.0	12.0	3.5
SF401040	40.0	10.5	4.0	SF107581	107.0	58.0	1.5
SF401235			3.5	SF1100540		5.6	4.0
SF401240		12.0	4.0	SF1101010	110.0		1.0
SF401250			5.0	SF1111009	111.0	10.0	0.9
SF401715		17.5	1.5	SF1200310	120.0	3.0	1.0
SF442010	44.5	20.0	10.0	SF1254620	125.0	46.0	2.0
SF451020	45.0	10.0	2.0	SF1302030			3.0
SF473530	47.5	3.5	3.0	SF1302020	130.0	20.0	
SF481040	48.0	10.0	4.0	SF1340220	134.0	2.0	2.0
SF484410		44.0		SF1400520		5.0	
SF491210	49.0	12.0	1.0	SF140101	140.0	10.0	1.0
SF500620	50.0	6.0	2.0	SF140251		25.0	
SF501038	50.0		3.8	SF14510520	145.0	105.0	2.0
SF541010	54.0	10.0	1.0	SF1461010	146.0	10.0	1.0
SF550515	55.0	5.0	1.5	SF1500712		7.0	1.2
SF582508			0.8	SF-1501004	150.0	10.0	0.5
SF582514	58.0	25.0	1.4	SF1501515		15.0	1.5
SF582516			1.6	SF1600610	160.0	6.0	1.0
SF600610			1.0	SF1664930	166.5	49.0	3.0
SF600613		6.0	1.3	SF2500515		5.0	1.5
SF600625			2.5	SF2506520	250.0	65.0	2.0
SF-6064			4.0	SF2701655	270.0	165.0	0.5
SF600907		9.0	0.7	SF2581420	258.0	14.5	2.0
SF601010	60.0		1.0	SF3101150		11.6	5.0
SF601025		10.0	2.5	SF3101250	310.0	12.0	
SF6017530		17.5	3.0	SF5400208	540.0	2.9	0.8
SF602010		20.0	10.0				
SF6067671		6.7	6.7				
SF652020	65.0	20.0	2.0				
SF654030		40.0	3.0				



RUBBER FOOT

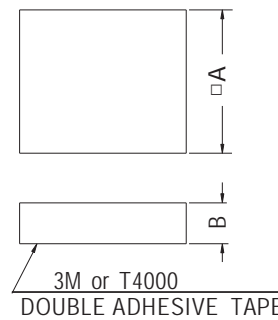
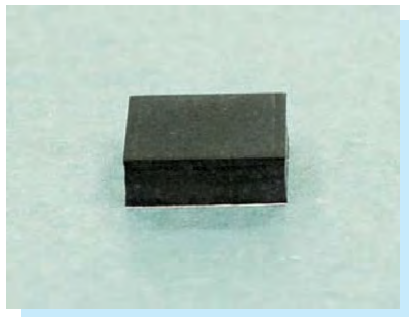
- ◆ MATERIAL: RUBBER/PU
- ◆ COLOR: BLACK/GRAY/COMPUTER
- ◆ UNIT: mm



PARTNO	A	B	C
SF-004	12.7	9.0	3.5
SF-005	12.7	7.0	6.0
SF-005I	12.7	7.0	6.0
SF-006	20.0	14.0	7.6
SF-007	10.5	8.6	2.5
SF-009	12.5	9.5	4.0
SF-016	12.7	9.8	3.0
SF-017	12.5	9.7	3.5

RUBBER FOOT

- ◆ MATERIAL: RUBBER
- ◆ COLOR: BLACK/GRAY/COMPUTER
- ◆ UNIT: mm
- ◆ OTHER MATERIALS AVAILABLE:
EPDM, SILICON,
OPTIONAL THICKNESS
BETWEEN 0.7-5.0mm



PART NO	A	B
SF050510	5.0	1.0
SF050512		1.2
SF-6610	6.0	1.0
SF-6615		1.5
SF060625		2.5
SF-664		4.0
SF-665		5.0
SF060660		6.0
SF-001		6.4
SF070715	7.0	1.5
SF070720		2.0
SF070740		4.0
SF070755		5.5
SF070780		8.0
SF73732		7.3
SF-080801	8.0	1.0
SF-080802		2.0
SF080823		2.3
SF-0808025		2.5
SF090945		9.0
SF-002	9.7	2.0

PARTNO	A	B
SF-979735	9.7	3.5
SF101007	10.0	0.7
SF101009		0.9
SF101010		1.0
SF101016		1.6
SF101020		2.0
SF101023		2.3
SF101025		2.5
SF101030		3.0
SF101035		3.5
SF101040		4.0
SF101050	5.0	
SF101060	11.0	6.0
SF111160		6.0
SF11511550	11.5	5.0
SF11511565		6.5
SF-121212	12.0	1.2
SF121225		2.5
SF-003		5.0
SF121255		5.5

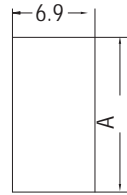
PARTNO	A	B
SF121270	12.0	7.0
SF-1272	12.7	2.3
SF-131320	13.0	2.0
SF14142	14.0	
SF141480		15.0
SF151512	1.5	
SF-151515	3.5	
SF151535	5.0	
SF151550	16.0	
SF161610	17.0	2.5
SF171725	18.0	1.0
SF181810		2.0
SF181820		4.0
SF181840		5.0
SF181850	20.0	3.0
SF202030	25.4	5.0
SF25425450	40.0	1.0
SF404010		5.0
SF404050		5.0
SF505050	50.0	



RUBBER FOOT

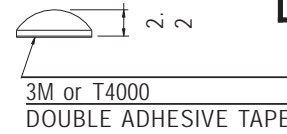


- ◆ MATERIAL:RUBBER
- ◆ COLOR:BLACK/GRAY/COMPUTER
- ◆ UNIT:mm
- ◆ OTHER MATERIALSAVAILABLE: EPDM,SILICON,....



WE MAKE DIFFERENT SIZE FOR YOUR ORDER.

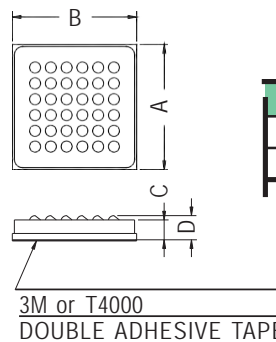
PARTNO	A
SF14722	14.0
SF28722	27.8



RUBBER FOOT



- ◆ MATERIAL:RUBBER
- ◆ COLOR:BLACK
- ◆ UNIT:mm

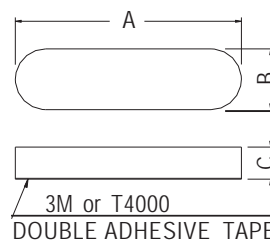


PARTNO	A	B	C	D
P004	14.0	13.5	2.1	2.6
P005	15.0	14.5	2.6	3.1

RUBBER FOOT



- ◆ MATERIAL:RUBBER
- ◆ COLOR:BLACK/GRAY/COMPUTER
- ◆ UNIT:mm
- ◆ OTHER MATERIALSAVAILABLE: EPDM,SILICON,....

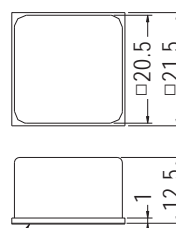


PARTNO	A	B	C
PT005	26.8	7.2	3.8
PT-1762	17.5	6.5	2.0
PT080210	8.0	2.0	1.0
PT100612	10.5	6.0	1.2
PT100614	10.5	6.0	1.4
PT158932S	15.8	9.3	2.0
PT160915	16.0	9.5	1.5
PT200612	20.5	6.2	1.2
PT200617	20.5	6.2	1.7
PT270720	26.8	7.2	2.0
PT360712	36.0	7.0	1.2
PT690920	69.6	9.8	2.0

RUBBER FOOT



- ◆ MATERIAL:RUBBER
- ◆ COLOR:COMPUTER
- ◆ UNIT:mm



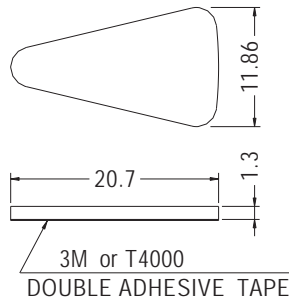
3M or T4000
 DOUBLE ADHESIVE TAPE

PARTNO	PACKAGE
SF202013	1000



RUBBER FOOT

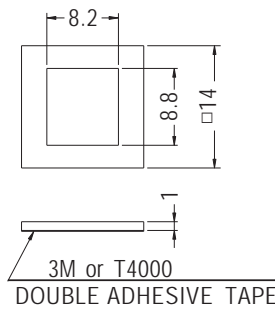
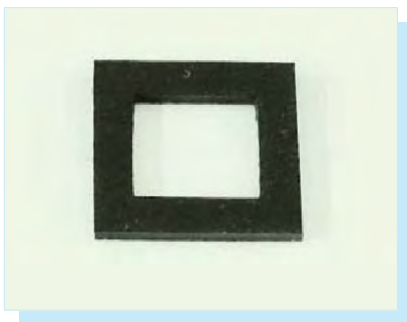
- ◆ MATERIAL:RUBBER
- ◆ COLOR:BLACK
- ◆ UNIT:mm



PART NO	PACKAGE
TF201113	1000

RUBBER FOOT

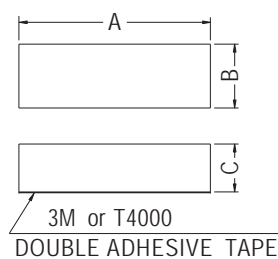
- ◆ MATERIAL:RUBBER
- ◆ COLOR:BLACK
- ◆ UNIT:mm



PART NO
SF141410

EVA FOAM

- ◆ MATERIAL:EVA
- ◆ COLOR:BLACK
- ◆ UNIT:mm
- ◆ PROVIDING SERVICE FOR ANY DIMENSIONS REQUIRED



PARTNO	A	B	C
EVA862	8.0	6.0	2.0
EVA120430	12.0	4.0	3.0



CONDUCTIVE FOAM

- ◆ MATERIAL:EMI CONDUCTIVE FABRIC
- ◆ UNIT:mm



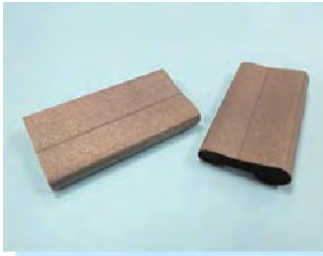
PARTNO	PACKAGE
CRGI01	1000



PARTNO	PACKAGE
CRGH06	1000



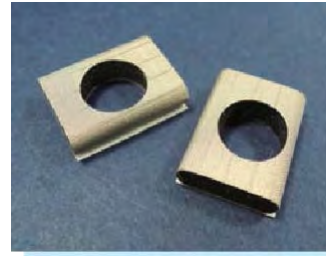
PARTNO	PACKAGE
CRGP11	1000



PARTNO	PACKAGE
CRGF02	1000



PARTNO	PACKAGE
CRGR-G07	1000



PARTNO	PACKAGE
CRGI12	1000



PARTNO	PACKAGE
CRGS03	1000



PARTNO	PACKAGE
CRGR08	1000



PARTNO	PACKAGE
CRGT13	1000



PARTNO	PACKAGE
CRGR04	1000



PARTNO	PACKAGE
CRGC09	1000



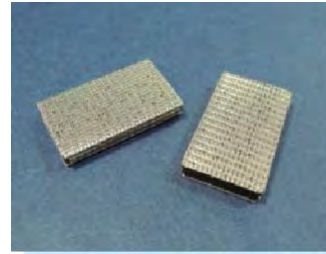
PARTNO	PACKAGE
CRGD14	1000



PARTNO	PACKAGE
CRGI-E05	1000



PARTNO	PACKAGE
CRGL10	1000



PARTNO	PACKAGE
CRGI-W15	1000

