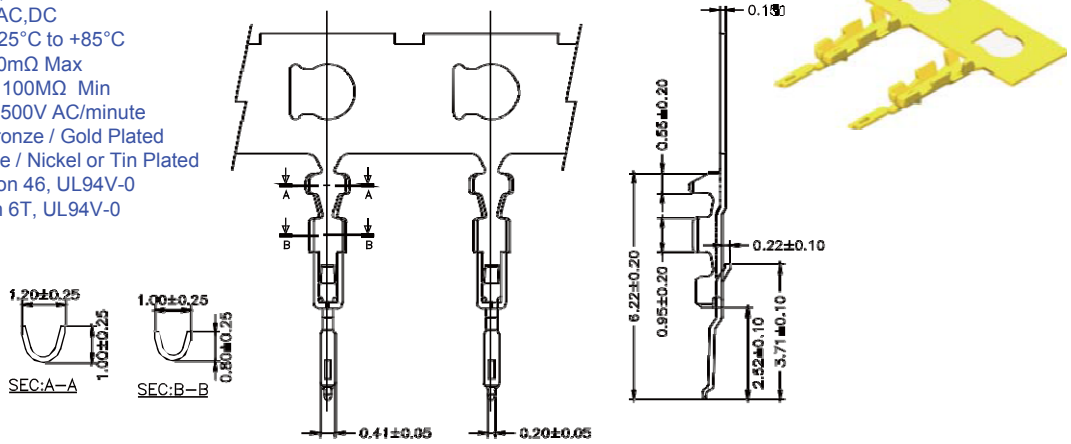


## 1.0mm Terminal / Housing / Wafer SMT Right Angle Type

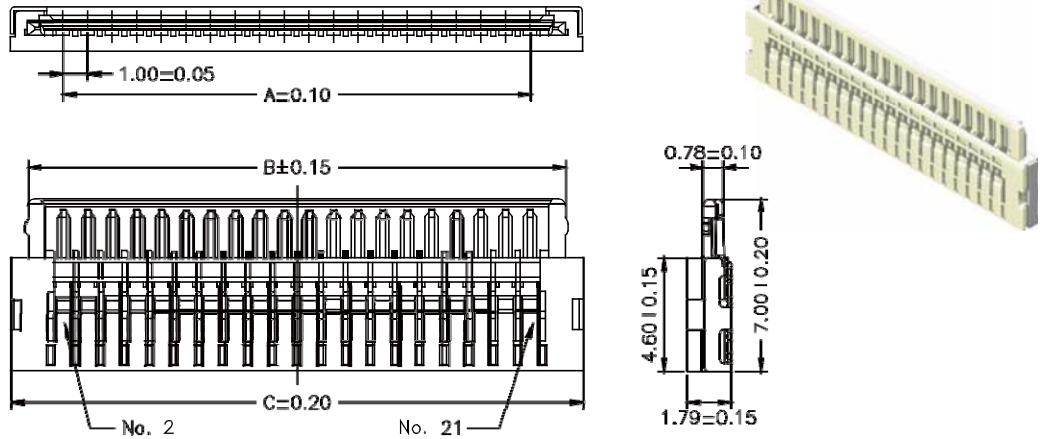
Specifications  
 Current Rating: 1A AC,DC  
 Voltage Rating: 200V AC,DC  
 Temperature Range: -25°C to +85°C  
 Contact Resistance: 40mΩ Max  
 Insulation Resistance: 100MΩ Min  
 Withstanding Voltage: 500V AC/minute  
 Terminal: Phosphor Bronze / Gold Plated  
 Shell: Phosphor Bronze / Nickel or Tin Plated  
 Material: Housing: Nylon 46, UL94V-0  
 Wafer: Nylon 6T, UL94V-0



Wire Range	Insulation O.D.	Material	Finish
#28-#36	0.50mm(Max)	Phosphor Bronze	Gold Plated

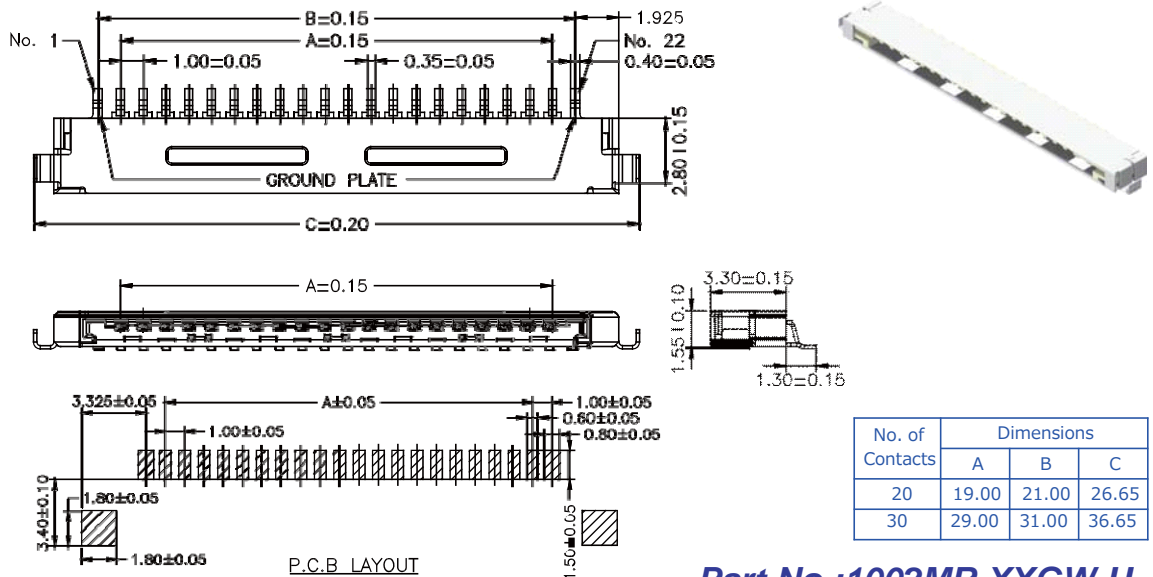
**Part No.:1002-T-L**

**Housing Wafer Terminal**



No. of Contacts	Dimensions		
	A	B	C
20	19.00	21.88	23.28
30	29.00	31.88	32.28

**Part No.:1002H-XXW-U**



No. of Contacts	Dimensions		
	A	B	C
20	19.00	21.00	26.65
30	29.00	31.00	36.65

**Part No.:1002MR-XXGW-U**