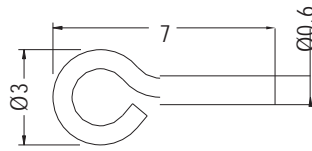


## TEST PIN



- ◆ MATERIAL:TIN PLATED BRASS
- ◆ UNIT:mm



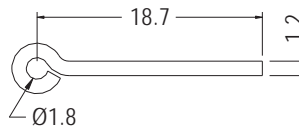
HOLE IN P.C.B Ø0.8

PART NO	PACKAGE
TEST-12	2000

## TEST PIN



- ◆ MATERIAL:TIN PLATED COPPER
- ◆ UNIT:mm

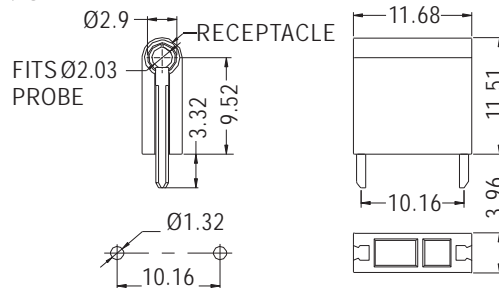


PART NO	PACKAGE
JUMP-21	1000

## TEST HOLDER

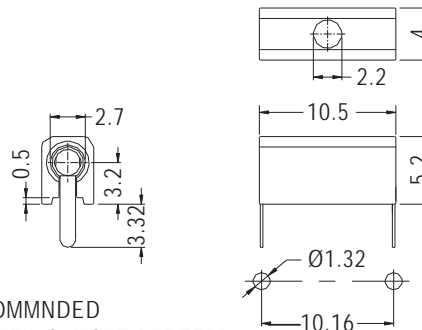
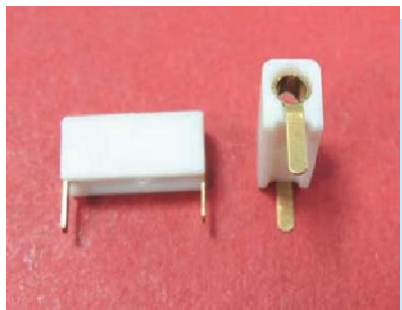


- ◆ MATERIAL:NYLON 66 (UL)
- ◆ MATERIAL FINISH:GOLD PLATED BRASS
- ◆ FLAME CLASS:94V-0
- ◆ COLOR:NATURAL
- ◆ UNIT:mm



RECOMMENDED MOUNTING HOLE PATTERN

PART NO	PACKAGE
TEST-114	1000



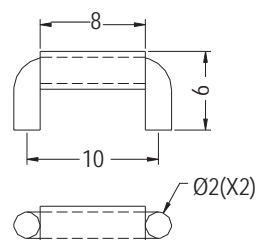
RECOMMENDED MOUNTING HOLE PATTERN

PART NO	PACKAGE
TEST-115	1000

## JUMPER WIRE



- ◆ MATERIAL:TIN PLATED COPPER
- ◆ PLASTIC MATERIAL:POLYOEFIN (UL)
- ◆ COLOR:BLACK
- ◆ UNIT:mm



PART NO	PACKAGE
JUMP-10	1000