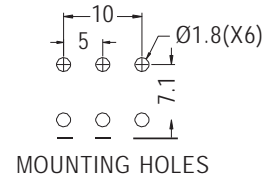
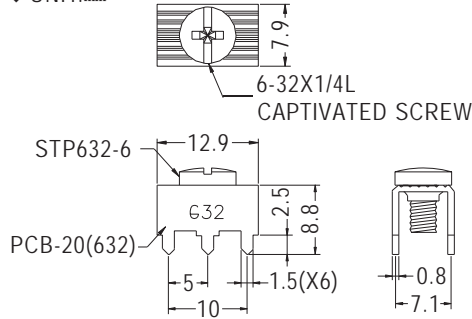


# P.C.B TERMINAL

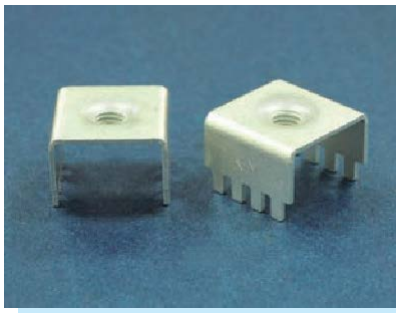


- ◆ MATERIAL:TIN PLATED BRASS
- ◆ SCREW MATERIAL:NICKEL PLATED
- ◆ UNIT:mm

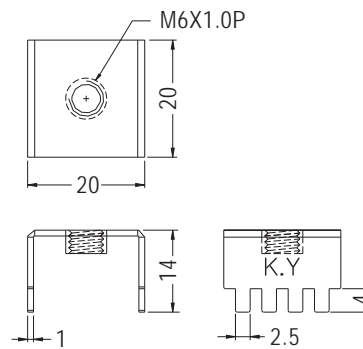


PART NO	(ASSY)	PACKAGE
PCB-20(632)F	PCB-20(632)+STP632-6	1000

# P.C.B TERMINAL

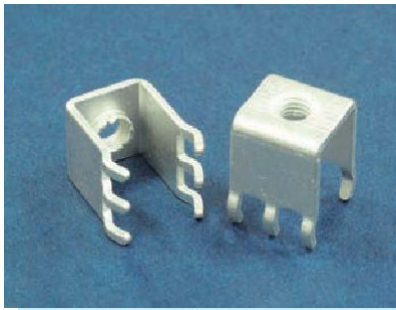


- ◆ MATERIAL:TIN PLATED COPPER
- ◆ UNIT:mm

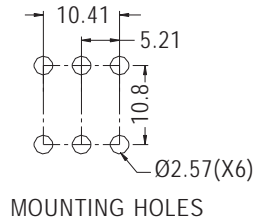
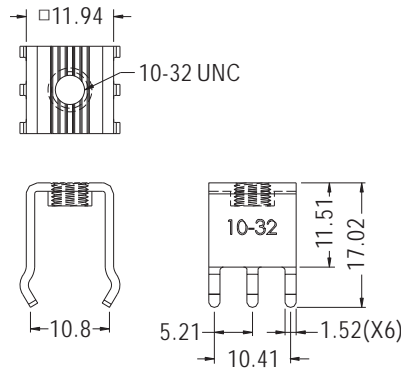


PART NO	PACKAGE
PCB-82	250

# P.C.B TERMINAL



- ◆ MATERIAL:BRASS
- ◆ FINISH:DULL TINPLATED
- ◆ UNIT:mm

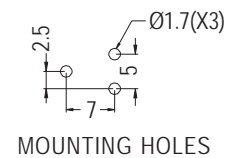
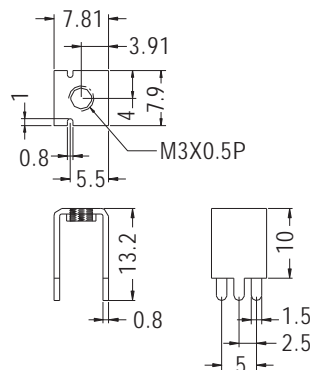


PART NO	PACKAGE
PCB-69	1000

# P.C.B TERMINAL



- ◆ MATERIAL:TIN PLATED BRASS
- ◆ UNIT:mm



PART NO	PACKAGE
PCB-26	1000

