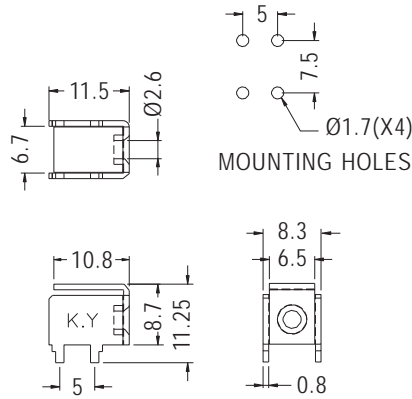


P.C.B TERMINAL

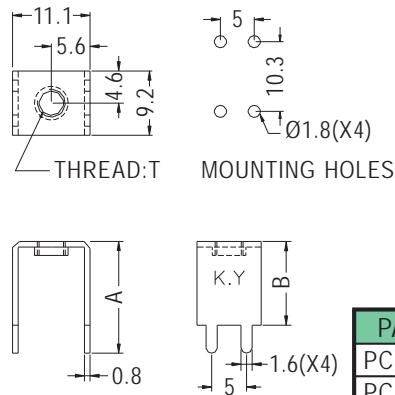
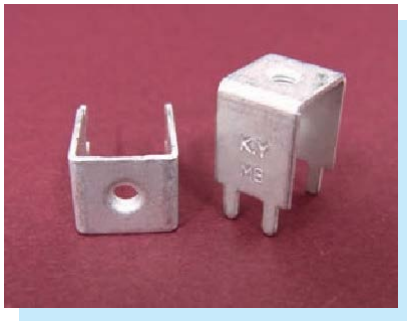
- ◆ MATERIAL: NICKEL PLATED BRASS
- ◆ UNIT: mm



PART NO	PACKAGE
PCB-34	1000

P.C.B TERMINAL

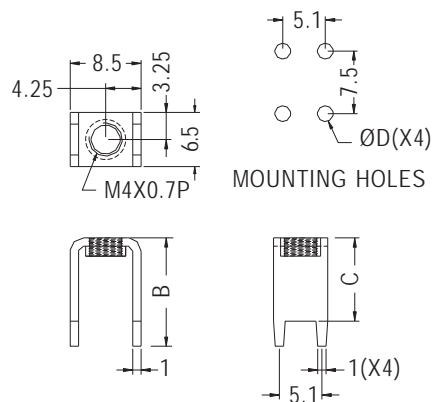
- ◆ MATERIAL: TIN PLATED BRASS
- ◆ UNIT: mm



PART NO	A	B	T	PACKAGE
PCB-27(M3)	16.0	12.0	M3X0.5P	1000
PCB-27(M4)	16.0	12.0	M4X0.7P	
PCB-28(M3)	18.8	14.8	M3X0.5P	
PCB-28(M4)	18.8	14.8	M4X0.7P	

P.C.B TERMINAL

- ◆ MATERIAL: TIN PLATED BRASS
- ◆ UNIT: mm



PART NO	B	C	D	PACKAGE
PCB-37M4	8.0	5.0	1.7	1000
PCB-58M4	13.0	10.0	1.9	