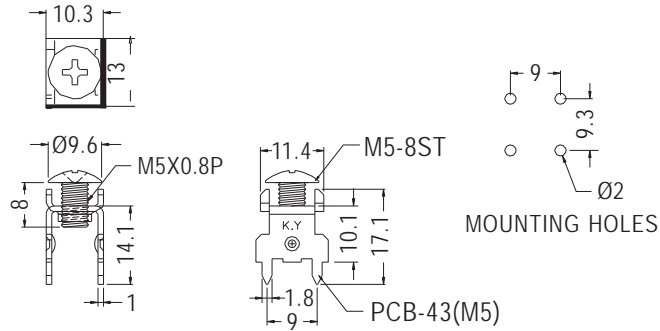


P.C.B TERMINAL

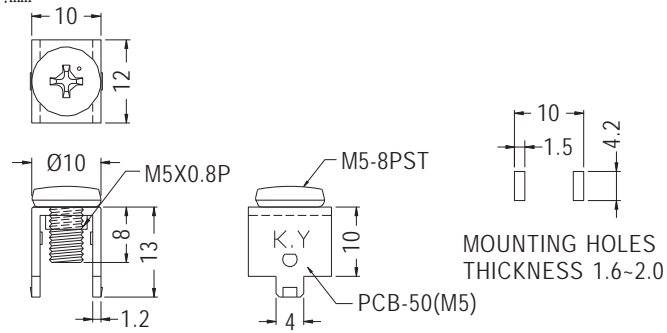
- ◆ MATERIAL:TIN PLATED BRASS
- ◆ UNIT:mm



PART NO	(ASSY)	PACKAGE
PCB-43(M5)F	PCB-43(M5)+M5-8ST	500

P.C.B TERMINAL

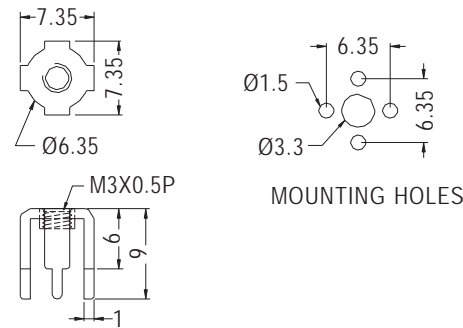
- ◆ MATERIAL:NICKEL PLATED BRASS
- ◆ UNIT:mm



PART NO	(ASSY)	PACKAGE
PCB-50M5F	PCB-50(M5)+M5-8PST	500

P.C.B TERMINAL

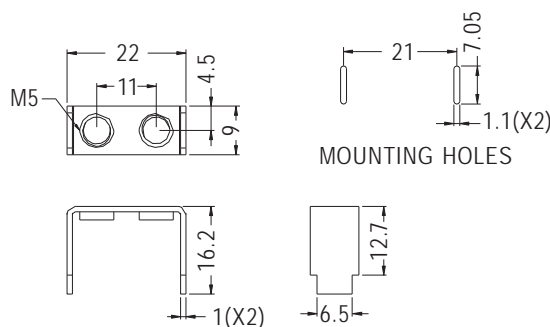
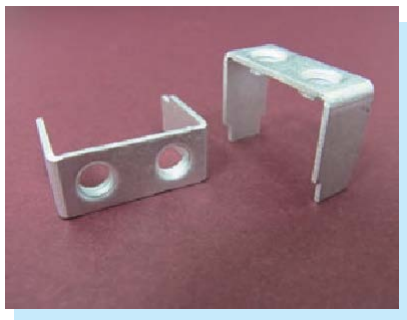
- ◆ MATERIAL:TIN PLATED SPCC
- ◆ UNIT:mm



PART NO	PACKAGE
PCB-49(M3)	1000

P.C.B TERMINAL

- ◆ MATERIAL:PHOSPHOR BRONZE WITH TINPLATED
- ◆ UNIT:mm



PART NO	PACKAGE
PCB-36	500

