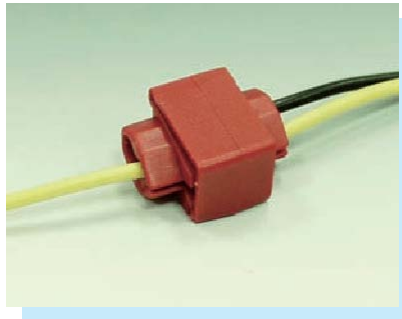
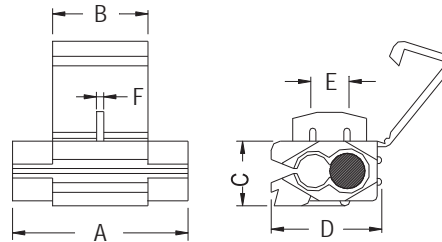


QUICK SPLICE



- ◆ HOUSING MATERIAL:PP
- ◆ METAL MATERIAL:COPPER
- ◆ FINISH:TIN PLATED
- ◆ UNIT:mm

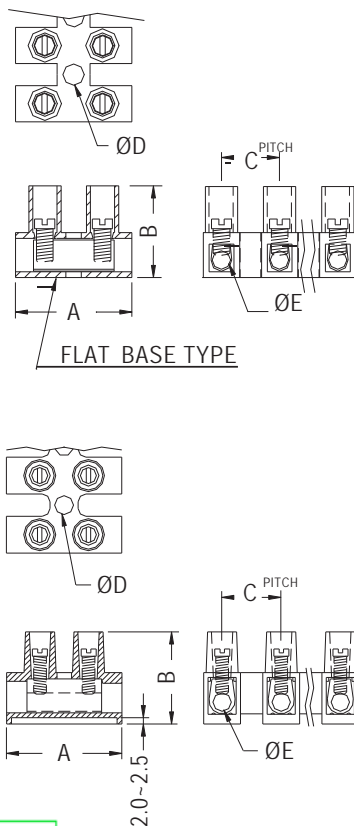
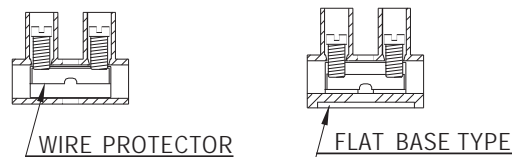


PART NO	WIRE RANGE		A	B	C	D	E	F	COLOR	PACKAGE
	AWG	mm ²								
3MR	22~18	1.25	19.5	10.6	8.2	13.5	3.9	0.8	RED	500
3MB	16~14	2.0							BLUE	
3MY	12~10	5.5	20.0	20.0	11.1	15.0	4.8	0.9	YELLOW	200

QUICK SPLICE



- ◆ HOUSING MATERIAL:NYLON 66 UL94V-2
- ◆ POLE:1-12 POLES
- ◆ WORKING TEMPERATURE:105°C
- ◆ PA7DS,PA9DS:WITH WIRE PROTECTOR
- ◆ APPROVED:UL、CSA、VDE、F、D、N、S...
- ◆ COLOR:NATURAL



PART NO	mm ²	Amp	Volt	Screw	A	B	C	D	E	POLES			
PA7-H	1.5	17.5	450V	M2.6X5P	17.0	14.5	8.2	2.9	2.8	1-12			
PA7-DSH						13.5							
PA7F-H					20.2	16.7							
PA7F-DSH							16.2						
PA9-H	2.5	24.0	500V	M3.0X6P	20.2	16.7	10.0	3.6	3.2				
PA9-DSH											16.2		
PA9F-H					23.8	19.0	12.0	3.9	4.2				
PA12H-H	6.0	41.0	M3.5X7P	25.6							25.0	13.5	4.4
PA12H-DS													
PA14-H	10.0	57.0	500V	M4.0X9P	25.6	25.0	13.5	4.4	5.0				
PA14H-DS													

PART NO	mm ²	Amp	Volt	Screw	A	B	C	D	E	POLES
PA16-H	16.0	76.0	500 V	M4.0X9P	28.1	23.0	14.5	4.2	6.0	1-12

