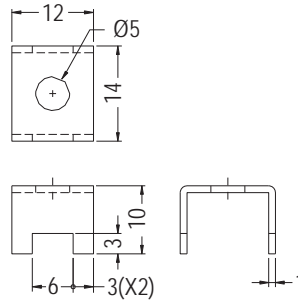


P.C.B TERMINAL

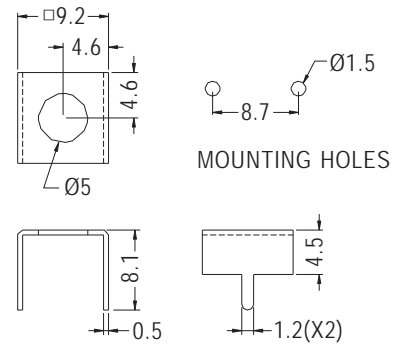
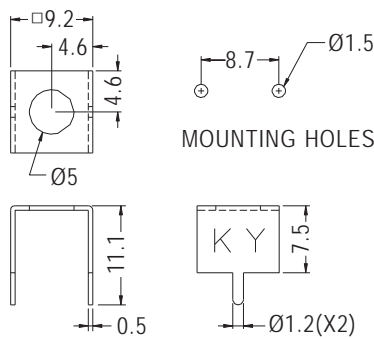
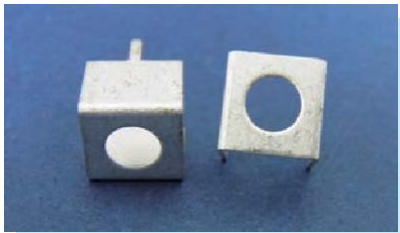
- ◆ MATERIAL:TIN PLATED BRASS
- ◆ UNIT:mm



PART NO	PACKAGE
PCB-77	1000

P.C.B TERMINAL

- ◆ MATERIAL:TIN PLATED BRASS
- ◆ UNIT:mm

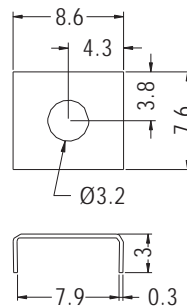
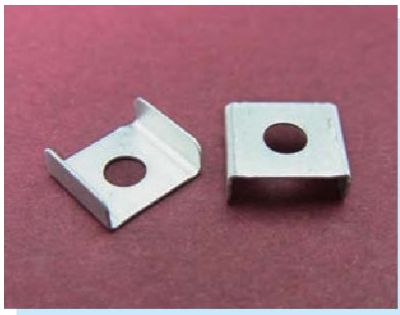


PART NO	PACKAGE
PCB-29	1000

PART NO	PACKAGE
PCB-44	1000

P.C.B TERMINAL

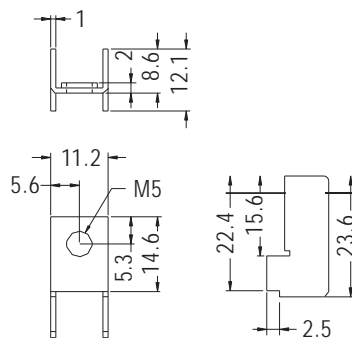
- ◆ MATERIAL:TIN PLATED BRASS
- ◆ UNIT:mm



PART NO	PACKAGE
PCB-25(3.2)	1000

P.C.B TERMINAL

- ◆ MATERIAL:PHOSPHOR BRONZE WITH TIN PLATED
- ◆ UNIT:mm



PART NO	PACKAGE
PCB-23(M5)	1000

