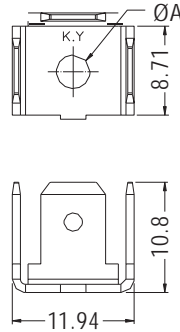


P.C.B TERMINAL

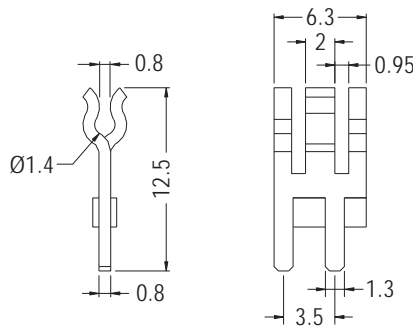
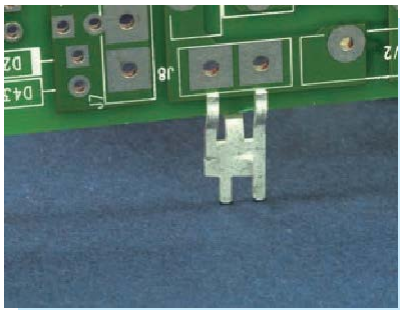
- ◆ MATERIAL:TIN PLATED BRASS
- ◆ UNIT:mm



PART NO	A	PACKAGE
PC3L250-3	3.3	1000
PC3L250-4	4.3	

P.C.B TERMINAL

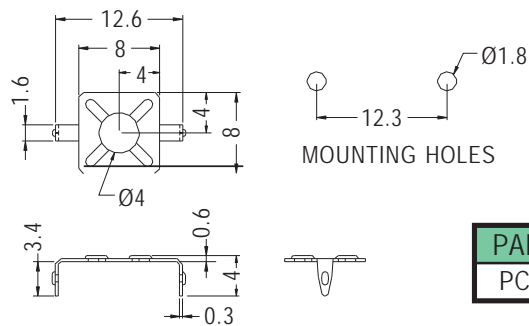
- ◆ MATERIAL:TIN PLATED BRASS
- ◆ UNIT:mm



PART NO	PACKAGE
EM-408	1000

GROUND TERMINAL

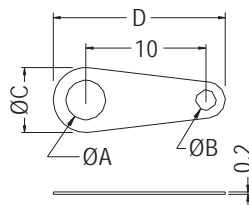
- ◆ MATERIAL:NICKEL PLATED BRONZE
- ◆ UNIT:mm



PART NO	PACKAGE
PCB-41A	1000

GROUND TERMINAL

- ◆ MATERIAL:NICKEL PLATED BRASS
- ◆ UNIT:mm



PART NO	A	B	C	D	PACKAGE
GND-1	3.2	1.6	5.5	14.3	2000
GND-3A	4.1	2.4	6.5	15.5	