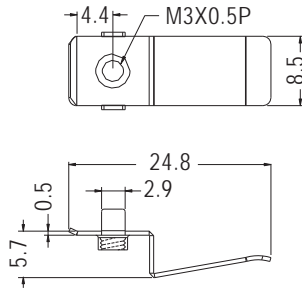


POWER TRANSISTOR CLAMP DEPRESSOR

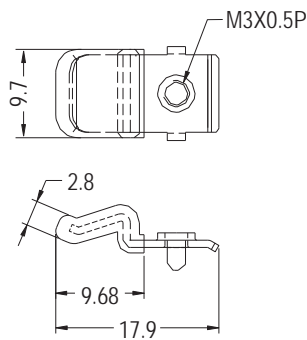
- ◆ MATERIAL:SUS301
- ◆ UNIT:mm



PART NO	PACKAGE
TRK-22	1000

DEPRESSOR

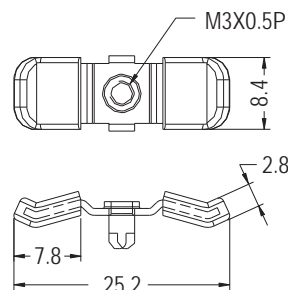
- ◆ MATERIAL:NYLON 66 (UL) 94V-2
- ◆ METAL MATERIAL:SUS
- ◆ COLOR:BLACK
- ◆ UNIT:mm



PART NO	PACKAGE
TRK-17AF	1000

DEPRESSOR

- ◆ MATERIAL:NYLON 66 (UL) 94V-2
- ◆ METAL MATERIAL:SUS
- ◆ COLOR:BLACK
- ◆ UNIT:mm



PART NO	PACKAGE
TRK-16F	1000