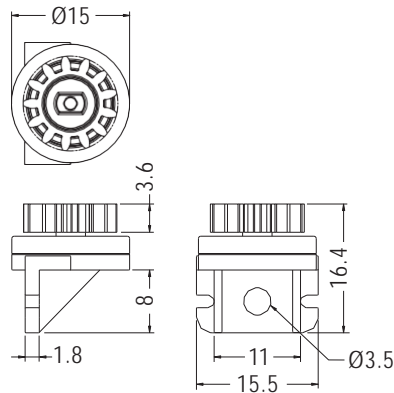


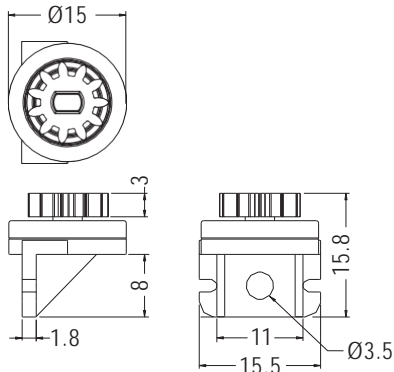
# DAMPER GEAR

- ◆ GEAR MATERIAL:POM (UL) 94HB
- ◆ BODY MATERIAL:ABS (UL) 94HB
- ◆ COLOR:BLACK
- ◆ UNIT:mm



| PART NO | PACKAGE |
|---------|---------|
| DP025A  | 500     |

|                       |       |
|-----------------------|-------|
| MODULE                | 0.8   |
| PITCH CIRCLE DIAMETER | Ø10.4 |
| TEETH NUMBER          | 13    |
| PRESSURE ANGLE        | 14.5° |

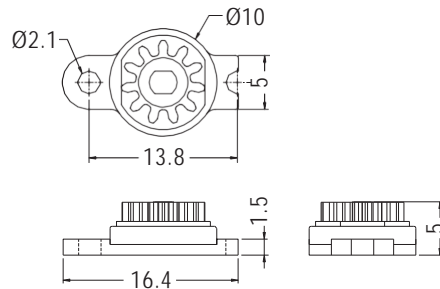
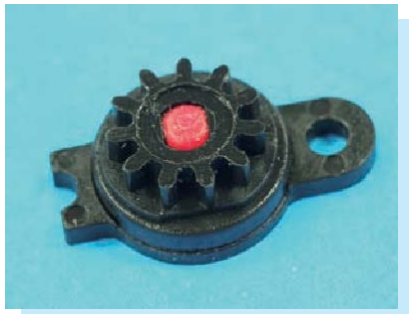


| PART NO | PACKAGE |
|---------|---------|
| DP026A  | 500     |

|                       |      |
|-----------------------|------|
| MODULE                | 0.8  |
| PITCH CIRCLE DIAMETER | Ø8.8 |
| TEETH NUMBER          | 11   |
| PRESSURE ANGLE        | 20°  |

# DAMPER GEAR

- ◆ GEAR MATERIAL:POM (UL) 94HB
- ◆ BODY MATERIAL:ABS (UL) 94HB
- ◆ COLOR:BLACK
- ◆ UNIT:mm



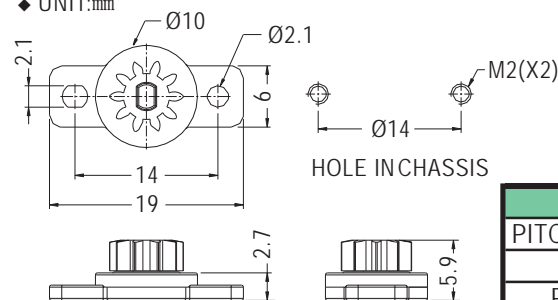
| PART NO | PACKAGE |
|---------|---------|
| DP006A  | 500     |

|                       |      |
|-----------------------|------|
| MODULE                | 0.6  |
| PITCH CIRCLE DIAMETER | Ø6.6 |
| TEETH NUMBER          | 11   |
| PRESSURE ANGLE        | 20°  |

# DAMPER GEAR

**NEW**

- ◆ GEAR MATERIAL:POM (UL) 94HB
- ◆ BODY MATERIAL:ABS (UL) 94HB
- ◆ COLOR:BLACK
- ◆ UNIT:mm



| PART NO | PACKAGE |
|---------|---------|
| DP030A  | 500     |

|                       |      |
|-----------------------|------|
| MODULE                | 0.6  |
| PITCH CIRCLE DIAMETER | Ø6.0 |
| TEETH NUMBER          | 10   |
| PRESSURE ANGLE        | 20°  |

