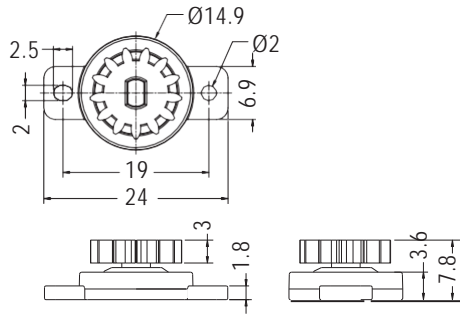


DAMPER GEAR

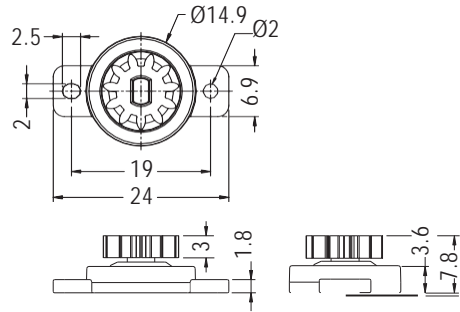


- ◆ GEAR MATERIAL:POM (UL) 94HB
- ◆ BODY MATERIAL:ABS (UL) 94HB
- ◆ COLOR:BLACK
- ◆ UNIT:mm



PART NO	PACKAGE
DP008A	500

MODULE	0.8
PITCH CIRCLE DIAMETER	Ø10.4
TEETH NUMBER	13
PRESSURE ANGLE	20°



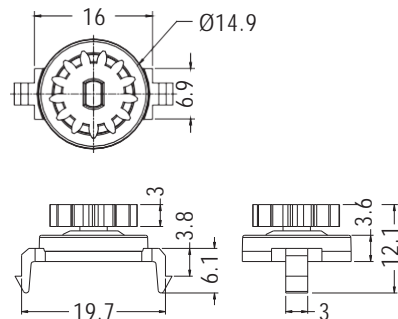
PART NO	PACKAGE
DP018A	500

MODULE	0.8
PITCH CIRCLE DIAMETER	Ø8.8
TEETH NUMBER	11
PRESSURE ANGLE	20°

DAMPER GEAR

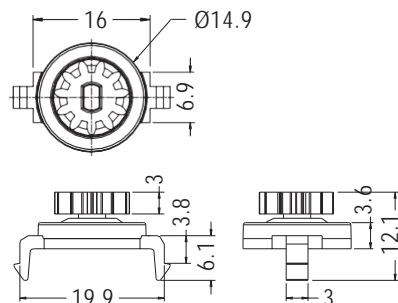


- ◆ GEAR MATERIAL:POM (UL) 94HB
- ◆ BODY MATERIAL:ABS (UL) 94HB
- ◆ COLOR:BLACK
- ◆ UNIT:mm



PART NO	PACKAGE
DP007A	500

MODULE	0.8
PITCH CIRCLE DIAMETER	Ø10.4
TEETH NUMBER	13
PRESSURE ANGLE	20°



PART NO	PACKAGE
DP017A	500

MODULE	0.8
PITCH CIRCLE DIAMETER	Ø8.8
TEETH NUMBER	11
PRESSURE ANGLE	20°