

# D SUB CONNECTORS

## D-SUB IDC Type



RoHS 2002/95/EC

### Specifications

Current Rate: 3 AMP | Insulation Resistance: 1000MΩ Min. | Contact Resistance: 20mΩ Max. | Dielectric Voltage: 500V AC for one minute | Operation Temperature: -55°C to +105°C

### Material

Contacts: Copper Alloy | Insulator: PBT UL 94V-0 Rated

**TOPTTEK**<sup>®</sup>

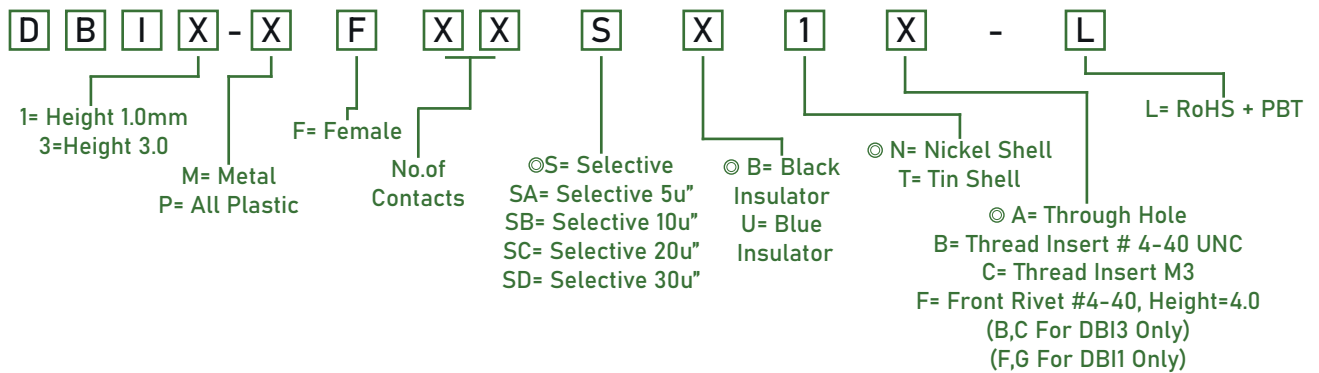
HARDWARE ELECTRONIC COMPONENTS



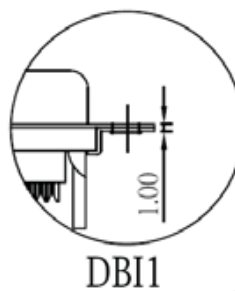
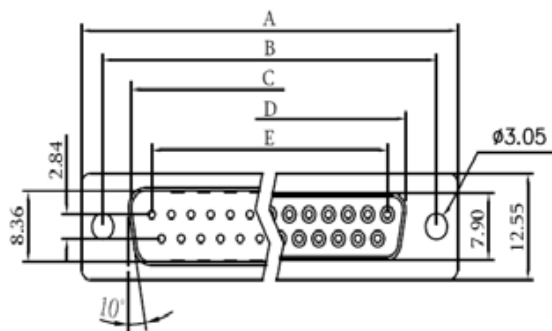
www.toptek-co.com



## ORDER INFORMATION



No. of Contacts	Dim. A	Dim. B	Dim. C	Dim. D	Dim. E	Dim. F
9	30.81	24.99	16.92	16.33	11.08	10.16
15	39.14	33.32	25.50	24.66	19.39	17.78
25	53.04	47.04	38.96	38.38	33.24	30.48
37	69.32	63.50	55.42	54.84	49.86	45.72



### Strain Relief

