

▶ MINI JUMPER 5.08mm

Mini jumper 5.08mm A type, F type, I type

TOPTTEK®

HARDWARE ELECTRONIC COMPONENTS



RoHS 2002/95/EC

Specifications

Current Rate: 7 AMP | Min. Insulation Resistance: 1000MΩ | Max. Contact Resistance: 20mΩ
 | Dielectric Voltage: 1000V AC for one minute | Operation Temperature: -40°C to +105°C

Material

Insulator: Polyester, UL 94V-0 | Standard: PBT | Terminal: Copper alloy | Plating: Gold Plated



www.toptek-co.com

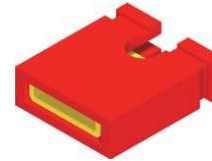
A Type



F Type



I Type



▶ ORDER INFORMATION

M J 5 X - X

B= Brass
 P= Phosphor
 Bronze

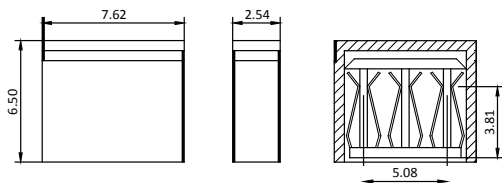
A= Close 6.5mm
 F= Close 12.70mm
 I= Open 10.0mm

G X - L

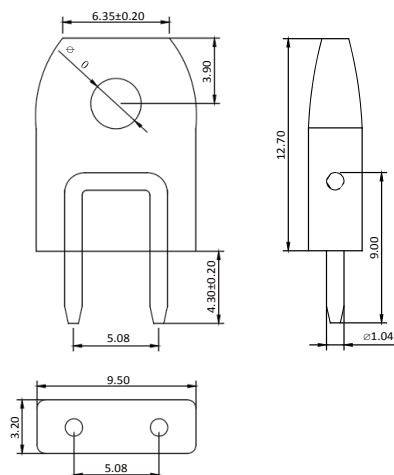
G= Gold Flash

L= RoHS + PBT

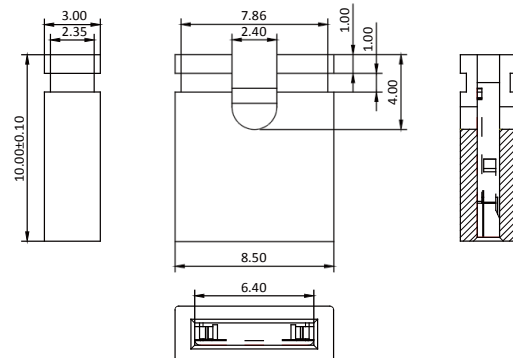
B= Black Insulator
 U= Blue Insulator
 G= Gray Insulator
 Y= Yellow Insulator
 R= Red Insulator
 E= Green Insulator
 W= White Insulator



A Type



F Type



I Type