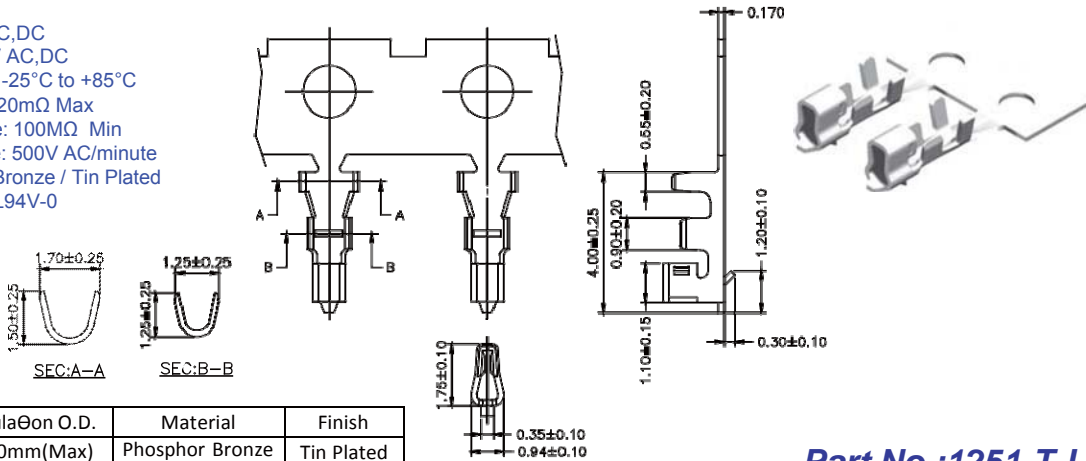


1.25mm Terminal / Housing / Wafer Right Angle & Straight Type

Specifications

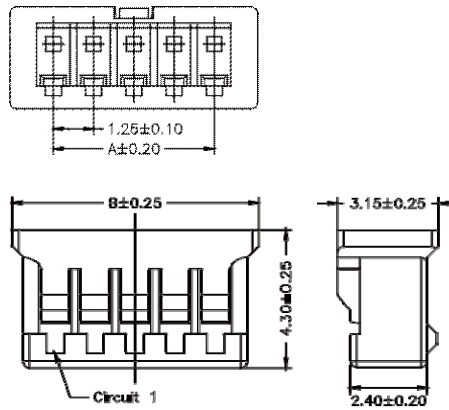
Current Rating: 1A AC,DC
Voltage Rating: 200V AC,DC
Temperature Range: -25°C to +85°C
Contact Resistance: 20mΩ Max
Insulation Resistance: 100MΩ Min
Withstanding Voltage: 500V AC/minute
Terminal: Phosphor Bronze / Tin Plated
Material: Nylon 66 ,UL94V-0



Wire Range	Insulation O.D.	Material	Finish
#28-#32	1.00mm(Max)	Phosphor Bronze	Tin Plated

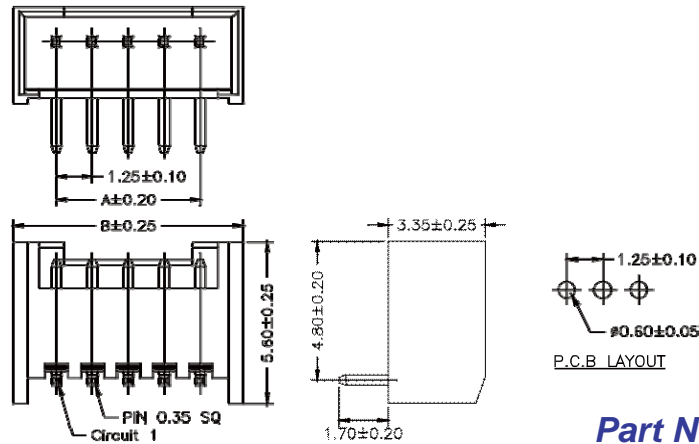
Part No.:1251-T-L

No. of Contacts	Dimensions		No. of Contacts	Dimensions	
	A	B		A	B
2	1.25	3.95	9	10.00	12.70
3	2.50	5.20	10	11.25	13.95
4	3.75	6.45	11	12.50	15.20
5	5.00	7.70	12	13.75	16.45
6	6.25	8.95	13	15.00	17.70
7	7.50	10.20	14	16.25	18.95
8	8.75	11.45	15	17.50	20.20

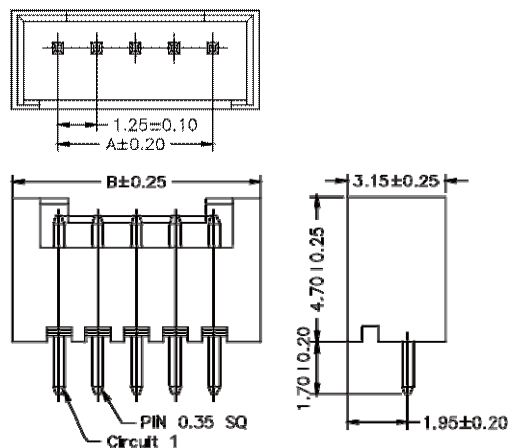


Part No.:1251H-XXR-L

No. of Contacts	Dimensions	
	A	B
2	1.25	4.25
3	2.50	5.50
4	3.75	6.75
5	5.00	8.00
6	6.25	9.25
7	7.50	10.50
8	8.75	11.75
9	10.00	13.00
10	11.25	14.25
11	12.50	15.50
12	13.75	16.75
13	15.00	18.00
14	16.25	19.25
15	17.50	20.50



Part No.:1251R-XXTR-L



Part No.:1251S-XXTR-L