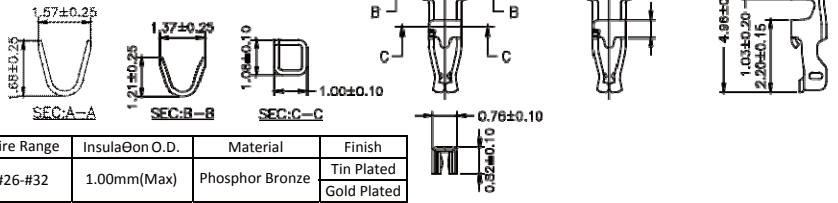


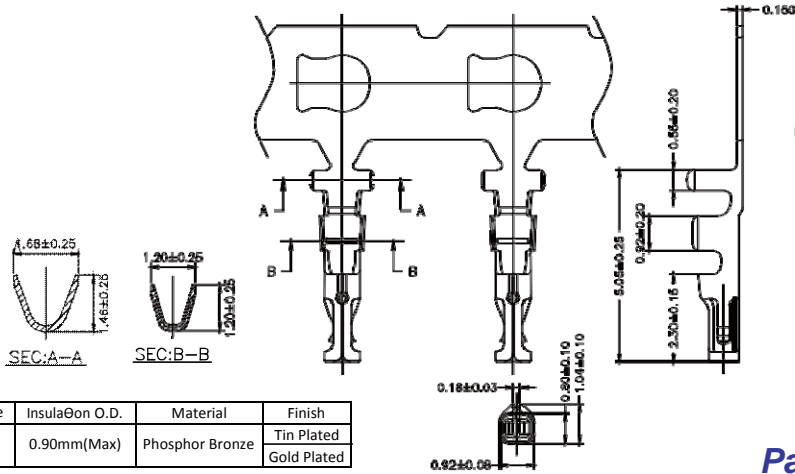
1.25mm Terminal / Housing

Specifications
 Current Rating: 1A AC,DC
 Voltage Rating: 150V AC,DC
 Temperature Range: -25°C to +85°C
 Contact Resistance: 30mΩ Max
 Insulation Resistance: 500MΩ Min
 Withstanding Voltage: 500V AC/minute
 Material:Nylon 66,UL94V-0



| Part No. | Wire Range | Insulation O.D. | Material | Finish |
|------------|------------|-----------------|-----------------|-------------|
| 1253-TTP-L | #26-#32 | 1.00mm(Max) | Phosphor Bronze | Tin Plated |
| 1253-TGP-L | | | | Gold Plated |

Part No.:1253-T-L

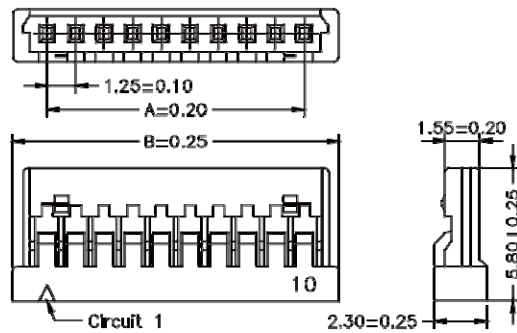


| Part No. | Wire Range | Insulation O.D. | Material | Finish |
|--------------|------------|-----------------|-----------------|-------------|
| 1253-TTP-A-L | #28-#32 | 0.90mm(Max) | Phosphor Bronze | Tin Plated |
| 1253-TGP-A-L | | | | Gold Plated |

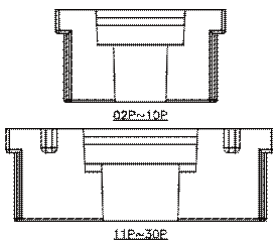
Part No.:1253-T-A-L

Housing Wafer Terminal

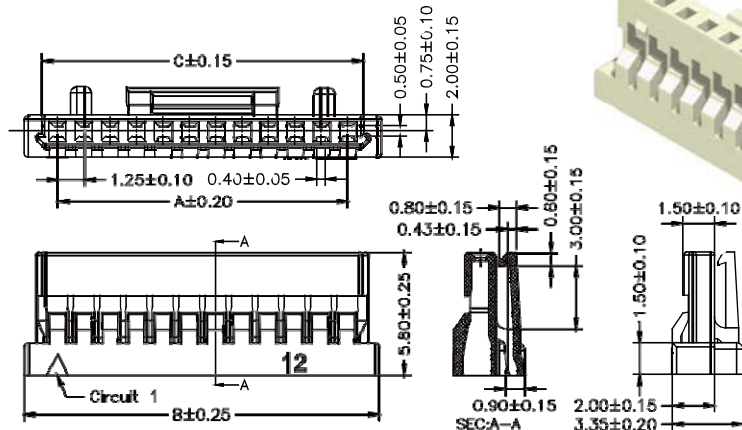
| No. of Contacts | Dimensions | | No. of Contacts | Dimensions | |
|-----------------|------------|-------|-----------------|------------|-------|
| | A | B | | A | B |
| 2 | 1.25 | 4.25 | 11 | 12.50 | 15.50 |
| 3 | 2.50 | 5.50 | 12 | 13.75 | 16.75 |
| 4 | 3.75 | 6.75 | 13 | 15.00 | 18.00 |
| 5 | 5.00 | 8.00 | 14 | 16.25 | 19.25 |
| 6 | 6.25 | 9.25 | 15 | 17.50 | 20.50 |
| 7 | 7.50 | 10.50 | 20 | 23.75 | 26.75 |
| 8 | 8.75 | 11.75 | 21 | 25.00 | 28.00 |
| 9 | 10.00 | 13.00 | 25 | 30.00 | 33.00 |
| 10 | 11.25 | 14.25 | 30 | 36.25 | 39.25 |



Part No.:1253H-1XXW-L



| No. of Contacts | Dimensions | | | No. of Contacts | Dimensions | | |
|-----------------|------------|-------|-------|-----------------|------------|-------|-------|
| | A | B | C | | A | B | C |
| 2 | 1.25 | 4.40 | 2.75 | 11 | 12.50 | 15.65 | 14.00 |
| 3 | 2.50 | 5.65 | 4.00 | 12 | 13.75 | 16.90 | 15.25 |
| 4 | 3.75 | 6.90 | 5.25 | 13 | 15.00 | 18.15 | 16.50 |
| 5 | 5.00 | 8.15 | 6.50 | 14 | 16.25 | 19.40 | 17.75 |
| 6 | 6.25 | 9.40 | 7.75 | 15 | 17.50 | 20.65 | 19.00 |
| 7 | 7.50 | 10.65 | 9.00 | 20 | 23.75 | 26.90 | 25.25 |
| 8 | 8.75 | 11.90 | 10.25 | 25 | 30.00 | 33.15 | 31.50 |
| 9 | 10.00 | 13.15 | 11.50 | 30 | 36.25 | 39.40 | 37.75 |
| 10 | 11.25 | 14.40 | 12.75 | | | | |



Part No.:1253HA-XXW-L