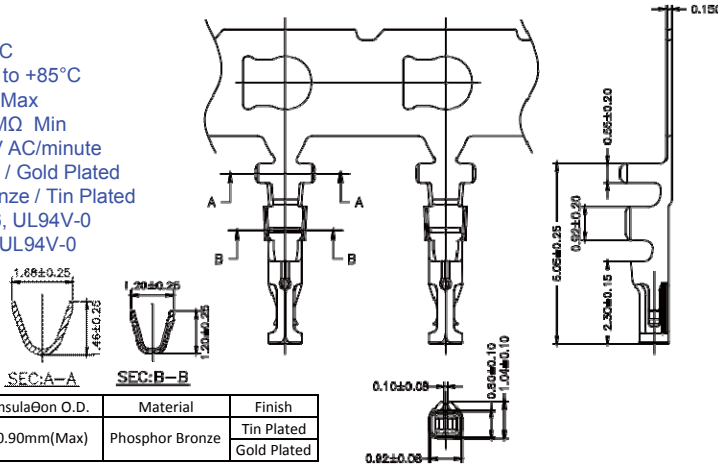


## 1.25mm Terminal / Housing / Wafer SMT Straight / SMT R/A Type

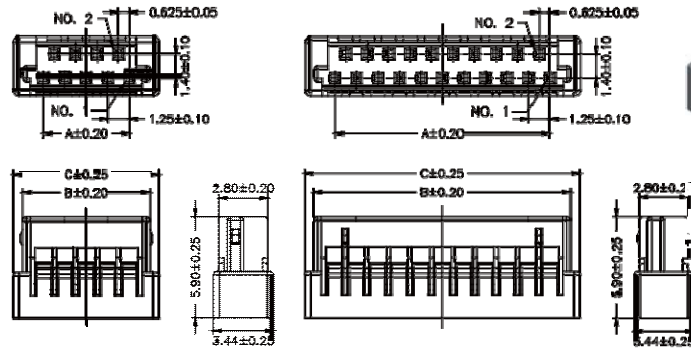
Specifications  
 Current Rating: 1A AC,DC  
 Voltage Rating: 200V AC,DC  
 Temperature Range: -25°C to +85°C  
 Contact Resistance: 40mΩ Max  
 Insulation Resistance: 100MΩ Min  
 Withstanding Voltage: 500V AC/minute  
 Terminal: Phosphor Bronze / Gold Plated  
 Solder Tabs: Phosphor Bronze / Tin Plated  
 Material: Housing: Nylon 66, UL94V-0  
 Wafer: Nylon 6T, UL94V-0



Part No.	Wire Range	Insulation O.D.	Material	Finish
1255-TTP-L	#28-#32	0.90mm(Max)	Phosphor Bronze	Tin Plated
1255-TGP-L				Gold Plated

**Part No.:1255-T-L**

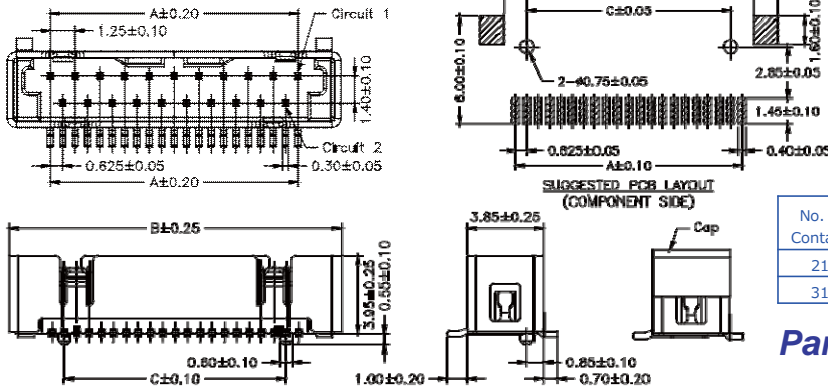
No. of Contacts	Dimensions		
	A	B	C
5	2.50	4.90	6.00
7	3.75	6.15	7.25
9	5.00	7.40	8.50
11	6.25	8.65	9.75
13	7.50	9.90	11.00
15	8.75	11.15	12.25
17	10.00	12.40	13.50
19	11.25	13.65	14.75
21	12.50	14.90	16.00
31	18.75	21.15	22.25
41	25.00	27.40	28.50



**5,7,9,11 Contacts**

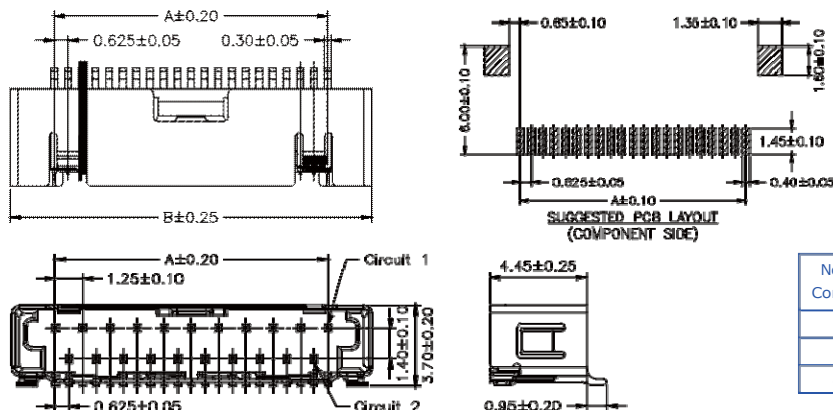
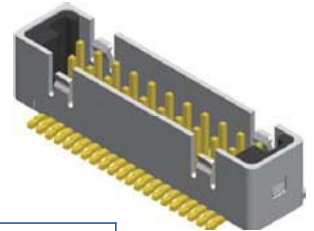
**13,15,17,19,21,31,41 Contacts**

**Part No.:1256H-XXB-L**



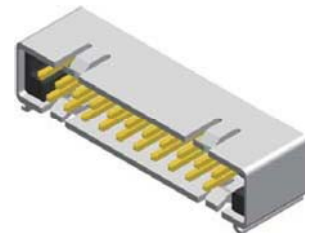
No. of Contacts	Dimensions		
	A	B	C
21	12.50	16.85	11.25
31	18.75	23.10	17.50

**Part No.:1256MS-XXGB-U**  
 1: WITH Post  
 2: W/O Post



No. of Contacts	Dimensions	
	A	B
21	12.50	16.55
31	18.75	22.80
41	25.00	29.05

**Part No.:1256MR-XXGB-U**



**Housing Wafer Terminal**