

▶ PIEZO ELEMENT AND VIBRATOR

piezoelectric ceramic buzzer plate B1

TOPTTEK[®]

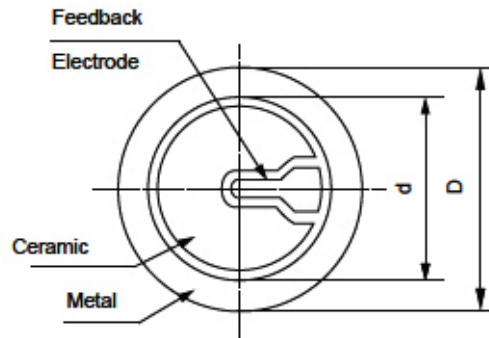
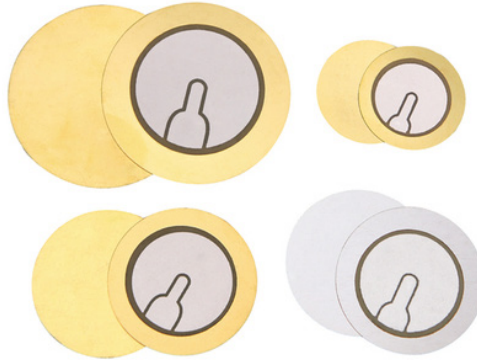
HARDWARE ELECTRONIC COMPONENTS



www.toptek-co.com



SPECIFICATIONS MODELS:



Part No.	Fr(KHz)	Zr(Ω)	C(nF)	Shape D(mm)	d(mm)	T(mm)	t(mm)	Metal
12T-5.8B1	5.8±0.5	500	12nF±30%	12	9	0.12	0.05	Brass
12H-5.8B1	5.8±0.5	500	12nF±30%	12	9	0.12	0.05	Alloy
15H-4.0B1	4.0±0.5	500	30nF±30%	15	12	0.13	0.05	Alloy
15T-4.2B1	4.2±0.5	300	25nF±30%	15	12	0.14	0.05	Brass
18T-3.6B1	3.6±0.5	300	12nF±30%	18	12	0.2	0.08	Brass
20H-3.6B1	3.6±0.5	300	20nF±30%	20	15	0.22	0.1	Alloy
20T-4.0B1	4.0±0.5	300	20nF±30%	20	15	0.26	0.14	Brass
20T-4.2B1	4.2±0.5	300	24nF±30%	20	15	0.31	0.2	Brass
20G-4.2B1	4.2±0.5	300	15nF±30%	20	15	0.26	0.1	S-T
20T-5.3B1	5.34±0.5	300	15nF±30%	20	15	0.32	0.15	Brass
20T-6.0B1	6.0±0.5	300	12nF±30%	20	15	0.42	0.2	Brass
20T-7.0B1	7.0±0.5	300	12nF±30%	20	15	0.47	0.25	Brass
21G-6.5B1	6.5±0.5	300	12nF±30%	21	15	0.46	0.24	S-T
21G-7.0B1	7.0±0.5	300	12nF±30%	21	15	0.45	0.23	S-T
22.5G-6.0B1	6.0±0.5	300	12nF±30%	22.5	16.8	0.42	0.2	S-T
27T-4.0B1	4.0±0.5	300	20nF±30%	27	20	0.47	0.25	Brass
35T-2.9B1	2.9±0.5	300	30nF±30%	35	25	0.62	0.4	Brass
35G-2.9B1	2.9±0.5	300	25nF±30%	35	25	0.52	0.3	S-T