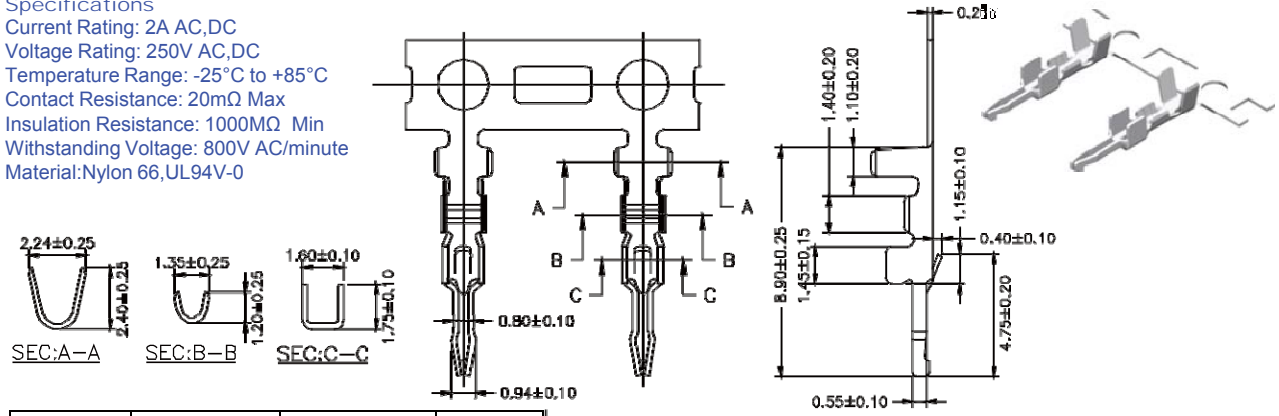


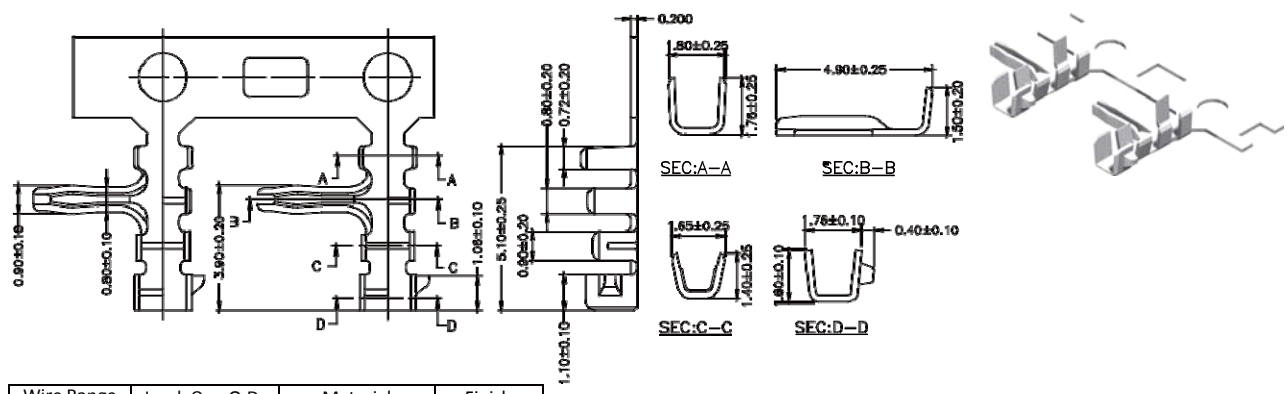
## 2.0mm Terminal / Housing

Specifications  
 Current Rating: 2A AC,DC  
 Voltage Rating: 250V AC,DC  
 Temperature Range: -25°C to +85°C  
 Contact Resistance: 20mΩ Max  
 Insulation Resistance: 1000MΩ Min  
 Withstanding Voltage: 800V AC/minute  
 Material: Nylon 66, UL94V-0



Wire Range	Insulation O.D.	Material	Finish
#24-#30	1.30mm(Max)	Brass	Tin Plated

**Part No.:2005-T-L**

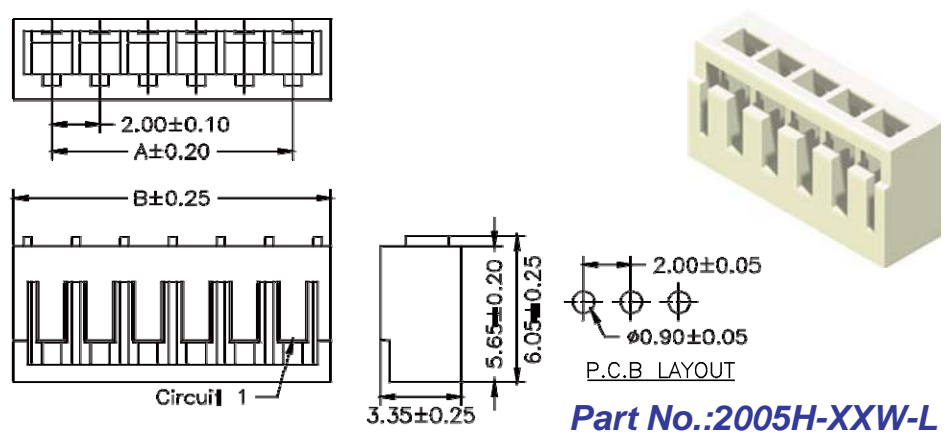


Wire Range	Insulation O.D.	Material	Finish
#24-#30	1.40mm(Max)	Brass	Tin Plated

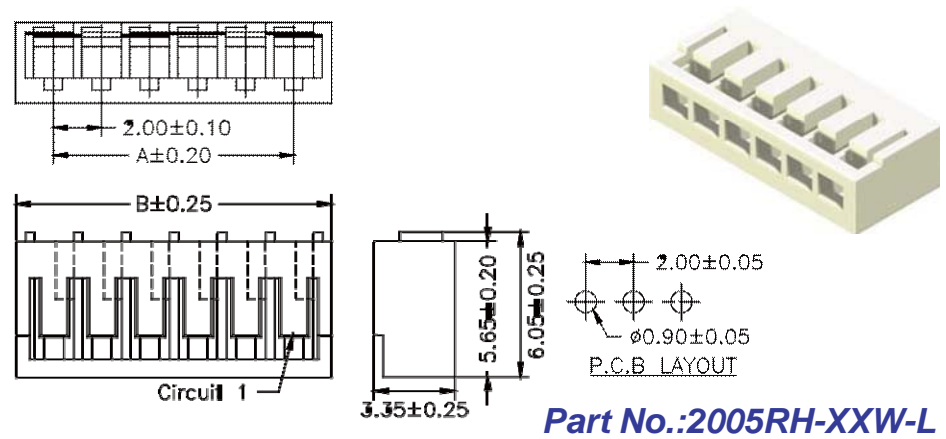
**Part No.:2005-RT-L**

**Housing Wafer Terminal**

No. of Contacts	Dimensions	
	A	B
2	2.00	5.15
3	4.00	7.15
4	6.00	9.15
5	8.00	11.15
6	10.00	13.15
7	12.00	15.15
8	14.00	17.15
9	16.00	19.15
10	18.00	21.15
11	20.00	23.15
12	22.00	25.15
13	24.00	27.15
14	26.00	29.15
15	28.00	31.15
16	30.00	33.15



**Part No.:2005H-XXW-L**



**Part No.:2005RH-XXW-L**