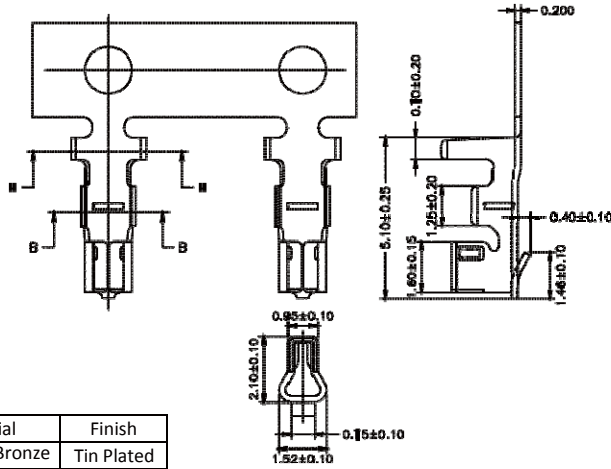
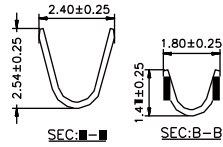


2.0mm Terminal / Housing / Wafer R/A / Straight Type

Specifications
 Current Rating: 3A AC,DC
 Voltage Rating: 300V AC,DC
 Temperature Range: -25°C to +85°C
 Contact Resistance: 20mΩ Max
 Insulation Resistance: 1000MΩ Min
 Withstanding Voltage: 800V AC/minute
 Material: Nylon 66, UL94V-0

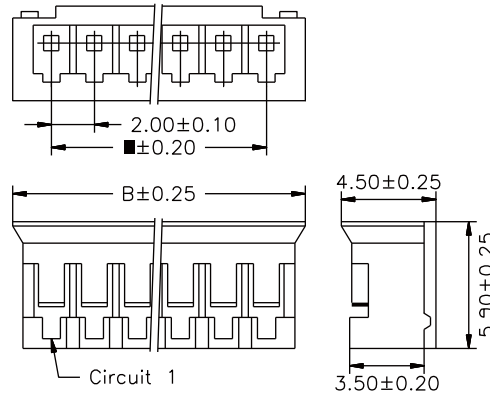


Wire Range	Insulation O.D.	Material	Finish
#24-#28	1.50mm(Max)	Phosphor Bronze	Tin Plated

Part No.:2007-T-L

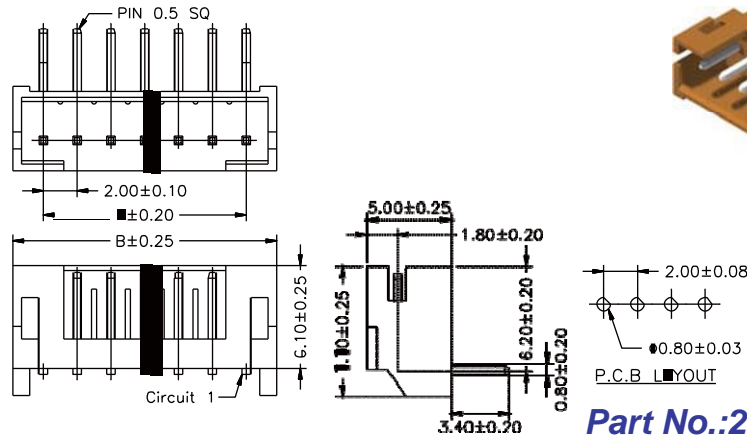
Housing Wafer Terminal

No. of Contacts	Dimensions	
	A	B
2	2.00	5.60
3	4.00	7.60
4	6.00	9.60
5	8.00	11.60
6	10.00	13.60
7	12.00	15.60
8	14.00	17.60
9	16.00	19.60
10	18.00	21.60
11	20.00	23.60
12	22.00	25.60
13	24.00	27.60
14	26.00	29.60
15	28.00	31.60

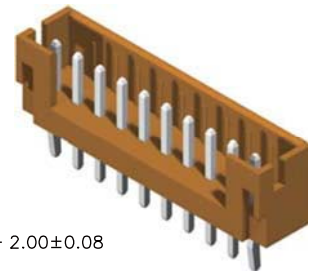
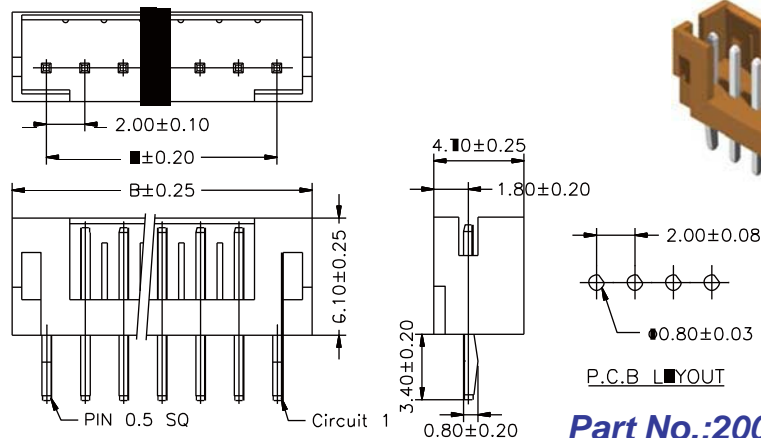


Part No.:2007H-XXR-L

No. of Contacts	Dimensions	
	A	B
2	2.00	6.00
3	4.00	8.00
4	6.00	10.00
5	8.00	12.00
6	10.00	14.00
7	12.00	16.00
8	14.00	18.00
9	16.00	20.00
10	18.00	22.00
11	20.00	24.00
12	22.00	26.00
13	24.00	28.00
14	26.00	30.00
15	28.00	32.00



Part No.:2007R-XXTR-L



Part No.:2007S-XXTR-L