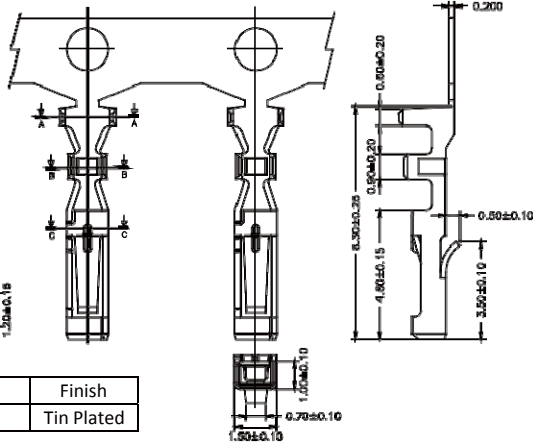
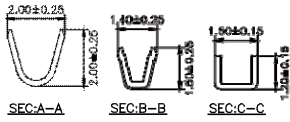


2.0mm Female & Male Terminal / Female & Male Housing

Specifications
 Current Rating: 2A AC,DC
 Voltage Rating: 125V AC,DC
 Temperature Range: -25°C to +85°C
 Contact Resistance: 20mΩ Max
 Insulation Resistance: 1000MΩ Min
 Withstanding Voltage: 500V AC/minute
 Material:Nylon 66,UL94V-0

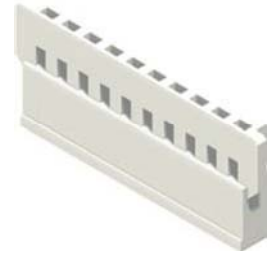
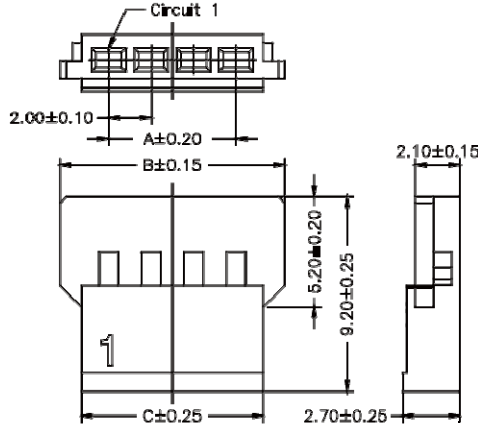


Wire Range	Insulation O.D.	Material	Finish
#24-#28	1.15mm(Max)	Brass	Tin Plated

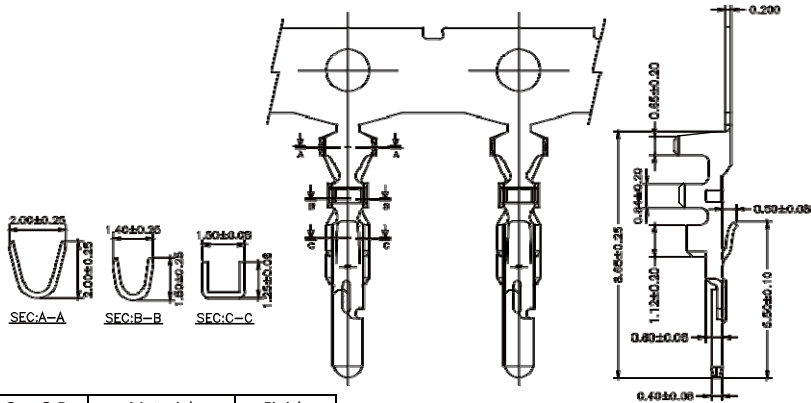
Part No.:2009-FT-L

Housing Wafer Terminal

No. of Contacts	Dimensions		
	A	B	C
2	2.00	6.60	4.60
3	4.00	8.60	6.60
4	6.00	10.60	8.60
5	8.00	12.60	10.60
6	10.00	14.60	12.60
7	12.00	16.60	14.60
8	14.00	18.60	16.60
9	16.00	20.60	18.60
10	18.00	22.60	20.60
11	20.00	24.60	22.60
12	22.00	26.60	24.60
13	24.00	28.60	26.60



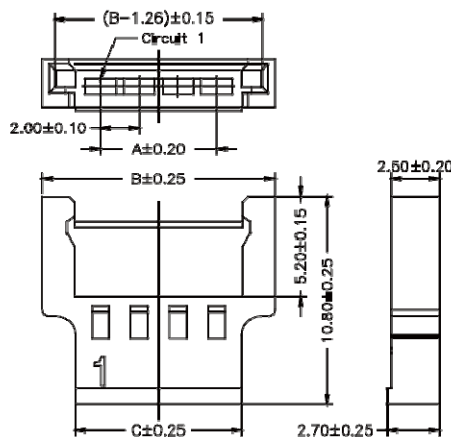
Part No.:2009H-FXXW-L



Wire Range	Insulation O.D.	Material	Finish
#24-#28	1.15mm(Max)	Brass	Tin Plated

Part No.:2009-MT-L

No. of Contacts	Dimensions		
	A	B	C
2	2.00	8.00	4.60
3	4.00	10.00	6.60
4	6.00	12.00	8.60
5	8.00	14.00	10.60
6	10.00	16.00	12.60
7	12.00	18.00	14.60
8	14.00	20.00	16.60
9	16.00	22.00	18.60
10	18.00	24.00	20.60
11	20.00	26.00	22.60
12	22.00	28.00	24.60
13	24.00	30.00	26.60



Part No.:2009H-MXXW-L