

▶ TERMINAL BLOCK

PCB Terminal block (carrello)



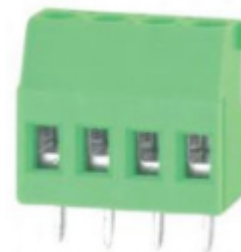
TOPTTEK®
HARDWARE ELECTRONIC COMPONENTS



www.toptek-co.com

SPECIFICATION MODEL KF129 P.7.62 :

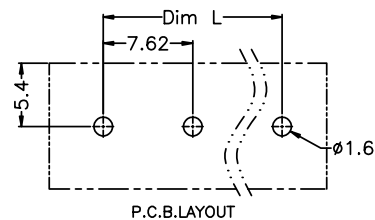
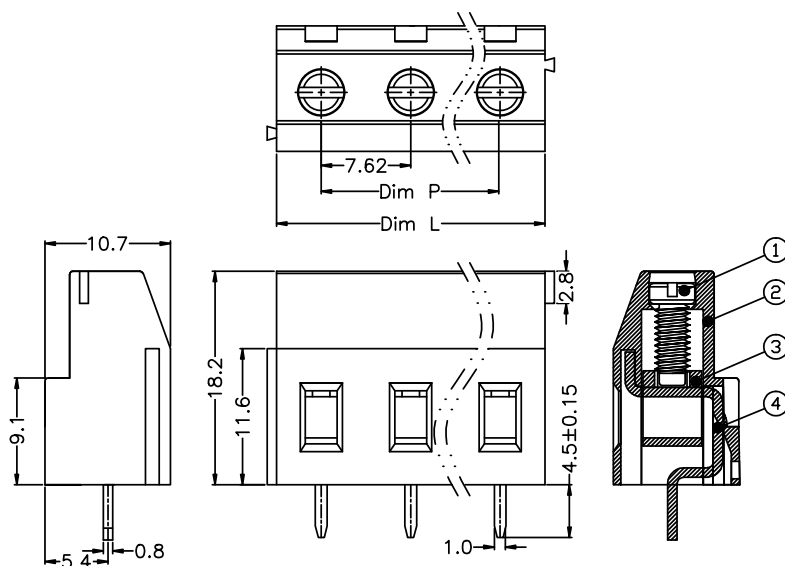
1	Screw Material	M3 steel, Zinc plated, “-” slot type
2	Housing Material	PA66, UL94V-0
3	Clamp Material	Brass, Ni plated
4	Pin Header Material	Brass, Tin plated
5	Rated voltage	UL: 300V IEC: 450V
6	Rated Current	UL: 20A IEC: 20A
7	Insulation Resistance	500MΩ / DC500V
8	Withstanding Voltage	AC2000V / 1min
9	Wire Range	24-12AWG 4.0mm ²
10	Operating Temperature	-40°C.....+105°C
11	Soldering Temperature	250°C ± 5 / 5sec
12	Torque	0.5N.m (4.43Lb.in)
13	Strip Length	6-7mm



▶ ORDER INFORMATION

K F 1 2 9 - 7.62 X X P

Pitch:mm
No.of Poles
2~24P



N=Number of Poles
Dim P=(N-1)x7.62
Dim L=Nx7.62

Poles	Dim P	Dim L
2-6P	±0.10	±0.15
7-12P	±0.20	±0.20
13-18P	±0.25	±0.30
19-24P	±0.30	±0.40