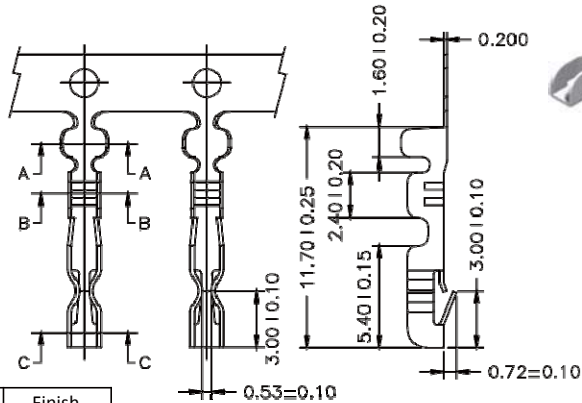
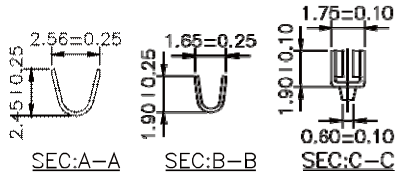


2.5mm Terminal / Housing / Wafer R/A / Straight Type

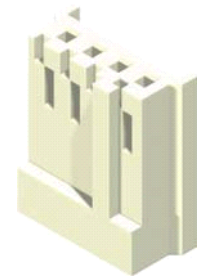
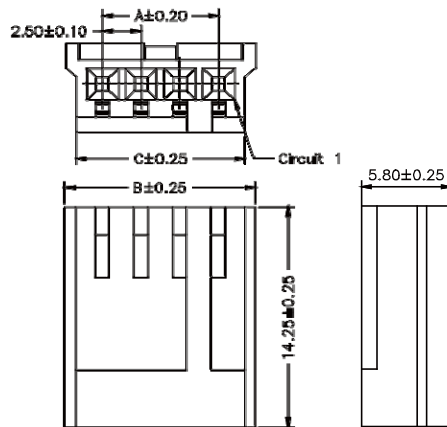
Specifications
 Current Rating: 3A AC,DC
 Voltage Rating: 250V AC,DC
 Temperature Range: -25°C to +85°C
 Contact Resistance: 10mΩ Max
 Insulation Resistance: 500MΩ Min
 Withstanding Voltage: 800V AC/minute
 Terminal: Brass / Tin Plated
 Material: Nylon 66, UL94V-0



Wire Range	InsulaOn O.D.	Material	Finish
#20-#26	1.90mm(Max)	Brass	Tin Plated

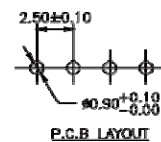
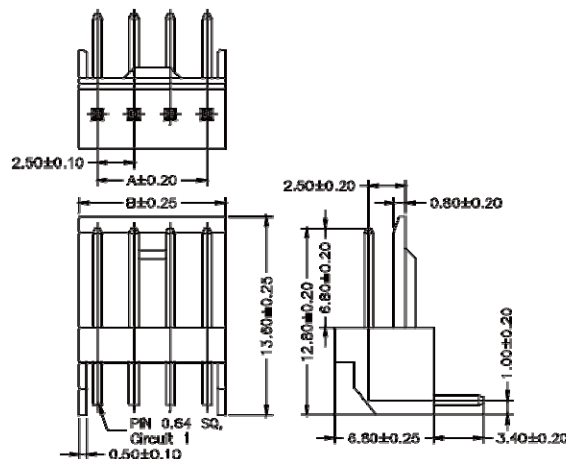
Part No.:2500-T-L

No. of Contacts	Dimensions		
	A	B	C
2	2.50	7.25	5.90
3	5.00	9.75	8.40
4	7.50	12.25	10.90
5	10.00	14.75	13.40
6	12.50	17.25	15.90
7	15.00	19.75	18.40
8	17.50	22.25	20.90
9	20.00	24.75	23.40
10	22.50	27.25	25.90
11	25.00	29.75	28.40
12	27.50	32.25	30.90
13	30.00	34.75	33.40
14	32.50	37.25	35.90
15	35.00	39.75	38.40

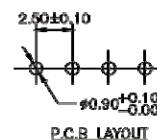
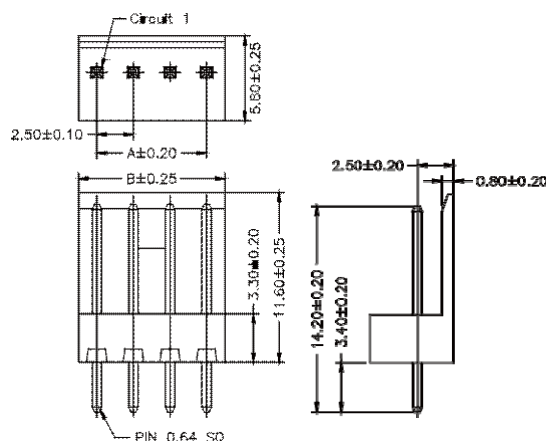


Part No.:2500H-XXW-L

No. of Contacts	Dimensions	
	A	B
2	2.50	5.00
3	5.00	7.50
4	7.50	10.00
5	10.00	12.50
6	12.50	15.00
7	15.00	17.50
8	17.50	20.00
9	20.00	22.50
10	22.50	25.00
11	25.00	27.50
12	27.50	30.00
13	30.00	32.50
14	32.50	35.00
15	35.00	37.50



Part No.:2500R-XXTW-L



Part No.:2500S-XXTW-L