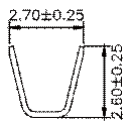


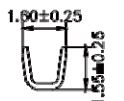
2.5mm Terminal / Housing / Wafer R/A / Straight Type

Specifications

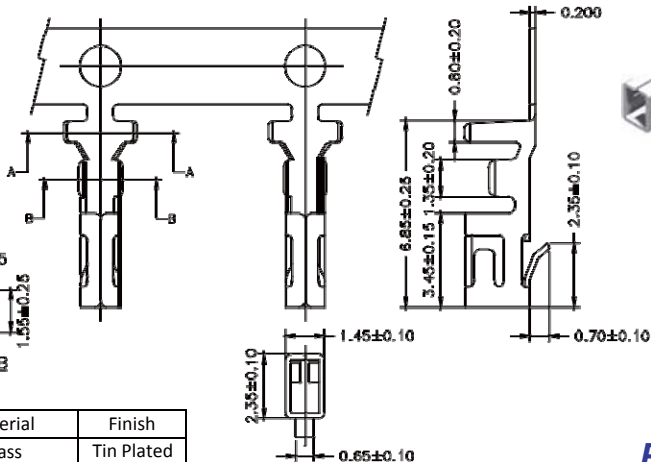
Current Rating: 3A AC,DC
Voltage Rating: 250V AC,DC
Temperature Range: -25°C to +85°C
Contact Resistance: 10mΩ Max
Insulation Resistance: 1000MΩ Min
Withstanding Voltage: 800V AC/minute
Terminal: Brass / Tin Plated
Material: Nylon 66, UL94V-2



SEC:A-A



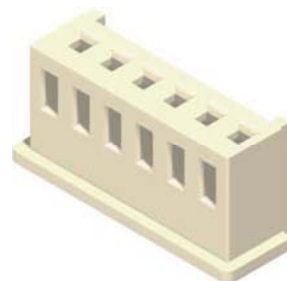
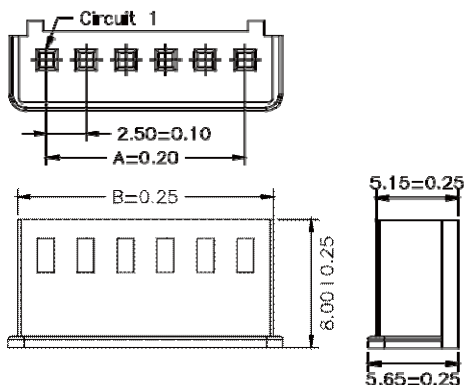
SEC:B-B



Wire Range	Insulation O.D.	Material	Finish
#22-#28	1.75mm(Max)	Brass	Tin Plated

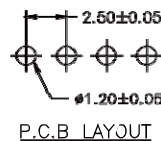
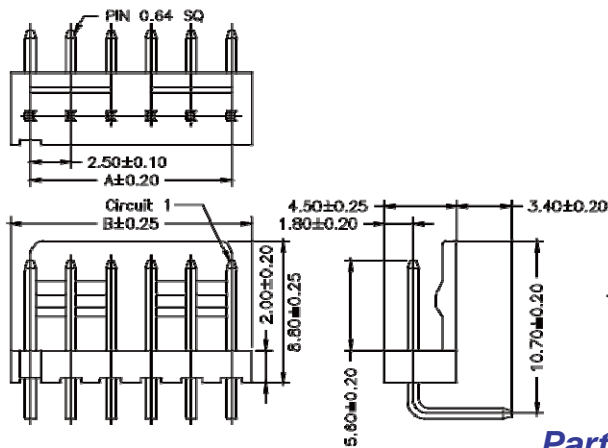
Part No.:2502-T-L

No. of Contacts	Dimensions		No. of Contacts	Dimensions	
	A	B		A	B
2	2.50	6.00	12	27.50	31.00
3	5.00	8.50	13	30.00	33.50
4	7.50	11.00	14	32.50	36.00
5	10.00	13.50	15	35.00	38.50
6	12.50	16.00	16	37.50	41.00
7	15.00	18.50	17	40.00	43.50
8	17.50	21.00	18	42.50	46.00
9	20.00	23.50	19	45.00	48.50
10	22.50	26.00	20	47.50	51.00
11	25.00	28.50			



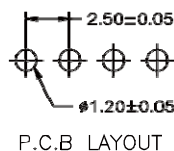
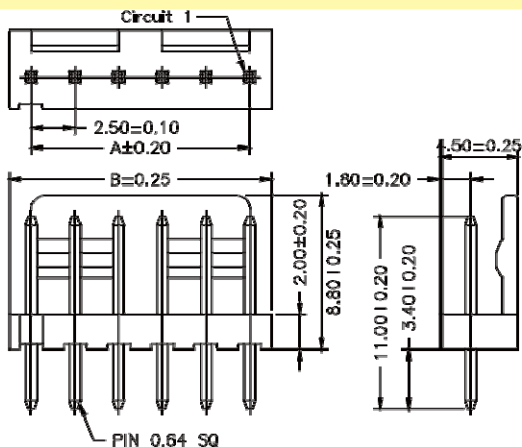
Part No.:2502H-XXW-L

No. of Contacts	Dimensions	
	A	B
2	2.50	5.00
3	5.00	7.50
4	7.50	10.00
5	10.00	12.50
6	12.50	15.00
7	15.00	17.50
8	17.50	20.00
9	20.00	22.50
10	22.50	25.00
11	25.00	27.50
12	27.50	30.00
13	30.00	32.50
14	32.50	35.00
15	35.00	37.50
16	37.50	40.00
17	40.00	42.50
18	42.50	45.00
19	45.00	47.50
20	47.50	50.00



Part No.:2502R-XXTW-L

No. of Contacts	Dimensions	
	A	B
12	27.50	30.00
13	30.00	32.50
14	32.50	35.00
15	35.00	37.50
16	37.50	40.00
17	40.00	42.50
18	42.50	45.00
19	45.00	47.50
20	47.50	50.00



Part No.:2502S-XXTW-L

