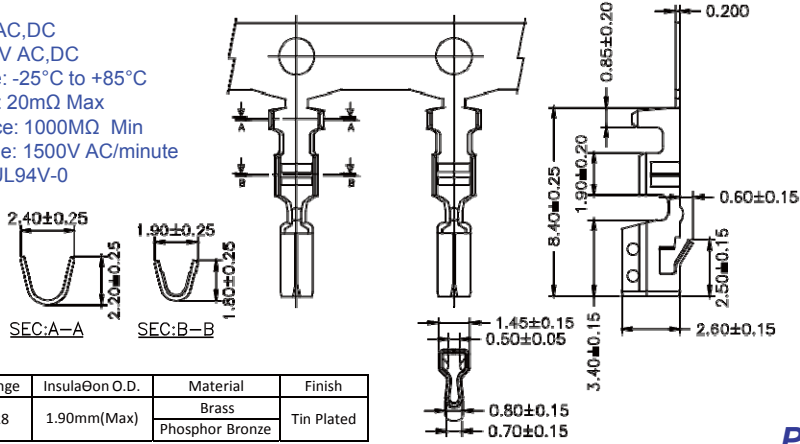


## 2.5mm Female & Male Terminal / Female & Male Housing

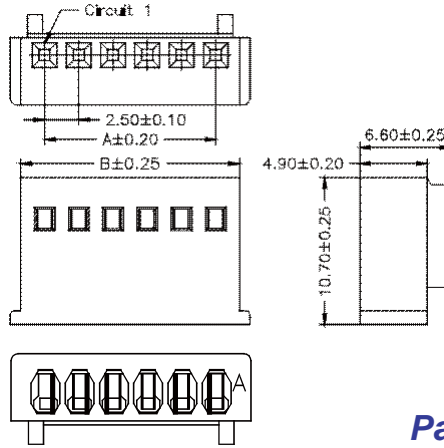
Specifications  
 Current Rating: 3A AC,DC  
 Voltage Rating: 250V AC,DC  
 Temperature Range: -25°C to +85°C  
 Contact Resistance: 20mΩ Max  
 Insulation Resistance: 1000MΩ Min  
 Withstanding Voltage: 1500V AC/minute  
 Material:Nylon 66, UL94V-0



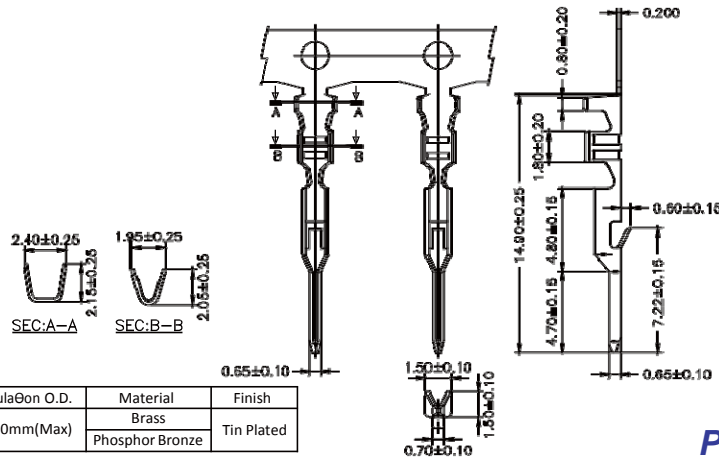
Part No.	Wire Range	Insulation O.D.	Material	Finish
2509-FTB-L	#22-#28	1.90mm(Max)	Brass	Tin Plated
2509-FTP-L			Phosphor Bronze	

**Part No.:2509-FT-L**

No. of Contacts	Dimensions		
	A	B	C
2	2.50	8.60	5.80
3	5.00	11.10	8.30
4	7.50	13.60	10.80
5	10.00	16.10	13.30
6	12.50	18.60	15.80
7	15.00	21.10	18.30
8	17.50	23.60	20.80
9	20.00	26.10	23.30
10	22.50	28.60	25.80
11	25.00	31.10	28.30
12	27.50	33.60	30.80
13	30.00	36.10	33.30
14	32.50	38.60	35.80
15	35.00	41.10	38.30
16	37.50	43.60	40.80



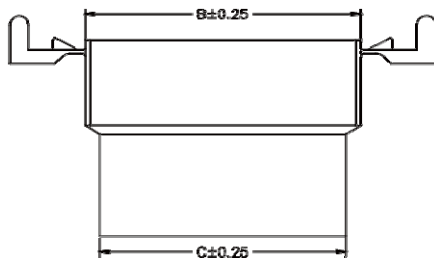
**Part No.:2509H-FXXW-L**



Part No.	Wire Range	Insulation O.D.	Material	Finish
2509-MTB-L	#22-#28	1.90mm(Max)	Brass	Tin Plated
2509-MTP-L			Phosphor Bronze	

**Part No.:2509-MT-L**

No. of Contacts	Dimensions	
	A	B
2	2.50	6.00
3	5.00	8.50
4	7.50	11.00
5	10.00	13.50
6	12.50	16.00
7	15.00	18.50
8	17.50	21.00
9	20.00	23.50
10	22.50	26.00
11	25.00	28.50
12	27.50	31.00
13	30.00	33.50
14	32.50	36.00
15	35.00	38.50
16	37.50	41.00



**Part No.:2509H-MXXW-L**